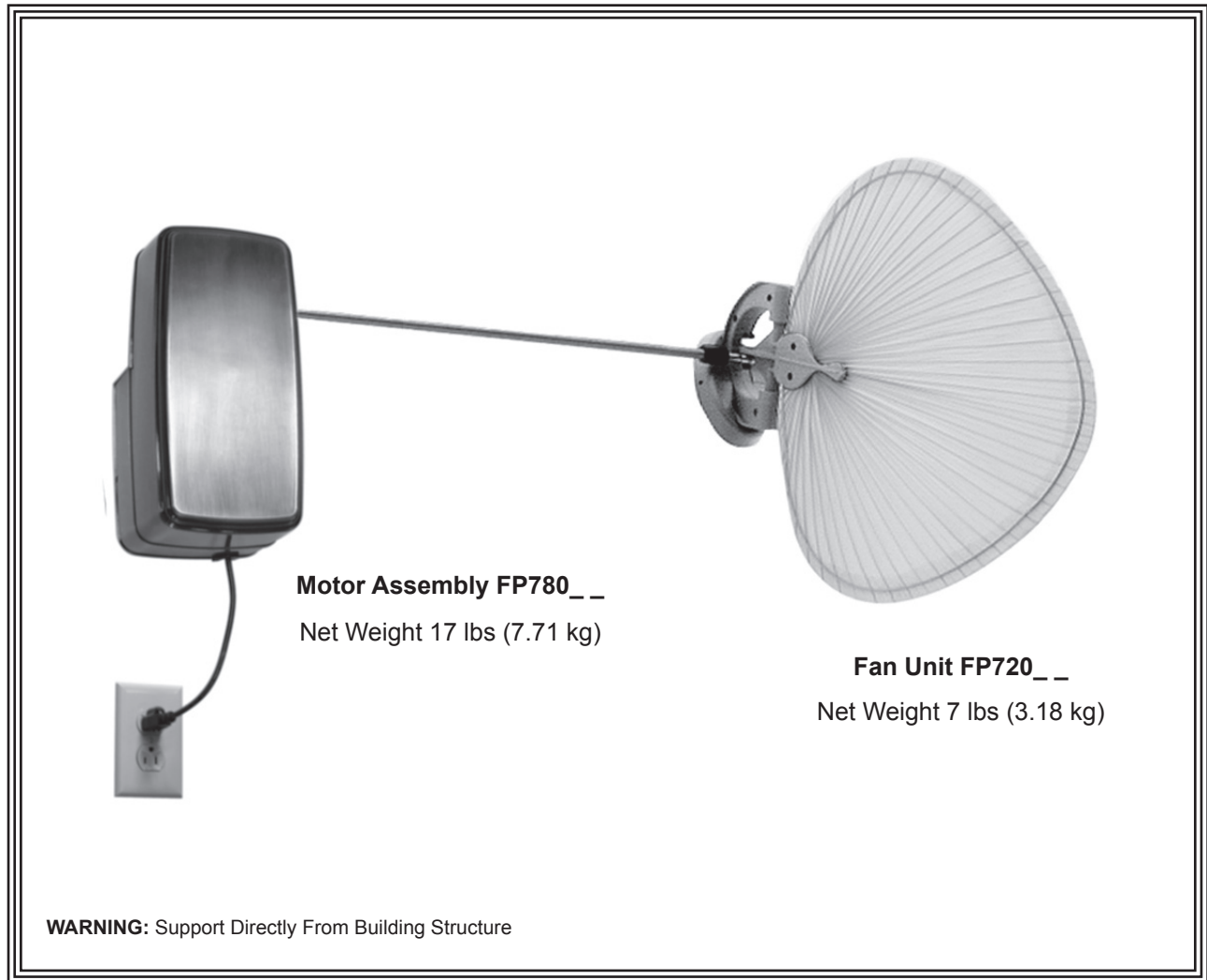


The Punkah®

Motor and Fan Unit



OWNER'S MANUAL

READ AND SAVE THESE INSTRUCTIONS



Important Safety Instructions

WARNING: To avoid fire, shock and serious personal injury, follow these instructions.

1. Read your owner's manual and safety information before installing your new fan. Review the accompanying assembly diagrams.
2. Before servicing or cleaning unit, switch power off at service panel and lock service panel disconnecting means to prevent power from being switched on accidentally. When the service disconnecting means cannot be locked, securely fasten a warning device, such as a tag, to the service panel.
3. Be careful of the fan and blades when cleaning, painting, or working near the fan. Always turn off the power to the ceiling fan before servicing.
4. Do not insert anything into the fan blades while the fan is operating.

Additional Safety Instructions

1. To avoid possible shock, be sure electricity is turned off at the fuse box before wiring, and do not operate fan without blades.
2. All wiring and installation procedures must satisfy National Electrical Codes (ANSI/ NFPA 70-1999). Use the National Electrical Code if Local Codes do not exist. The ceiling fan must be grounded as a precaution against possible electrical shock. Electrical installation should be made or approved by a licensed electrician.
3. The fan base must be securely mounted and capable of reliably supporting at least 100 lbs. (fan and accessories not to exceed 35 lbs. or 16 kgs.). Outlet boxes are not acceptable for fan support. See page 4 of owner's manual for support requirements. Consult a qualified electrician if in doubt.

4. **CAUTION:** To reduce the risk of personal injury, mount the fan base to a ceiling joist or structural member using the hardware provided with your fan.

WARNING: Support Directly from Building Structure.

5. The fan must be mounted at least 7 feet from the floor to prevent accidental contact with the fan blades.

6. Follow the recommended instructions for the proper method of wiring your ceiling fan. If you do not have adequate electrical knowledge or experience, have your fan installed by licensed electrician.

7. Suitable for use with solid-state speed controls.

WARNING: TO REDUCE THE RISK OF SHOCK, THIS FAN MUST BE INSTALLED WITH AN ISOLATING WALL CONTROL/SWITCH.

WARNING: This product is designed to use only those parts supplied with this product and/or accessories designated specifically for use with this product. Using parts and/or accessories not designated for use with this product could result in personal injury or property damage.

WARNING: Do not insert foreign objects in between rotating fan blades.

LIMITED LIFETIME WARRANTY

Extends to the original purchaser of a Fanimation Fan

1. **LIMITED LIFETIME MOTOR WARRANTY** - If any part of your fan motor fails, due to a defect in materials or workmanship during the lifetime of the original purchaser, Fanimation will provide the replacement part free of charge, when the defective fan is returned to our national service center. Proof of purchase is required. Customer shall be responsible for all costs incurred in the removal or reinstallation and shipping of the product for repairs or replacement.
2. **ONE YEAR MOTOR LABOR WARRANTY** - If your fan motor fails at any time within one year from the original purchase, due to defects in materials or workmanship, labor to repair the motor will be provided free of charge at our national service center. Purchaser will be responsible for labor charges after this one-year period. Customer shall be responsible for all costs incurred in the removal or reinstallation and shipping of the product for repairs or replacement.
3. If any other part of your fan fails at any time within one year after original purchase, due to a defect in materials or workmanship, we will repair, or replace, at our option, the defective part free of charge for parts and labor performed at our national service center.
4. Because of varying climate conditions, this warranty does not cover changes in the finish, including rusting, pitting, corroding, tarnishing, or peeling.
5. This warranty is void and does not apply to damage from improper installation, neglect, accident, misuse, exposure to extremes of heat or humidity, or as a result of any modification to the original product.
6. All costs of removal and reinstallation of the fan are the sole responsibility of the owner of the fan and not the store that sold the fan or Fanimation.
7. Fanimation reserves the right to modify or discontinue any product at any time and may substitute any part under this warranty.
8. Under no circumstances may a fan be returned without prior authorization from Fanimation. The receipt of purchase must accompany authorized returns and must be sent freight prepaid to Fanimation. The fan to be returned must be properly packed to avoid damage in transit; Fanimation will not be responsible for any damage resulting from improper packaging.
9. It is understood that any repair or replacement is the exclusive remedy available from Fanimation. There is no other expressed or implied warranty. Fanimation hereby disclaims any and all implied warranties, including, but not limited to those of merchantability and fitness for a particular purpose to the extent permitted by law. Some states do not allow limitations on implied warranties. Fanimation will not be liable for incidental, consequential, or special damages arising out of or in conjunction with product use or performance, except as may otherwise be accorded by law. This warranty gives you special legal rights and you may also have other rights that vary from state to state.
10. A certain amount of wobble is normal and should not be considered a problem or a defect.

Table of Contents

Unpacking Instructions	3
Electrical and Structural Requirements	4
Wiring and Control Options	4
Hanging Options	5
Motor Mounting Bracket Hanging Options - Ceiling or Wall Mount	6
Wiring Your Motor Assembly - Ceiling or Wall Mount	7
Mounting Head Assembly	8
Assembling & Adjusting Connecting Rod Length	9
Attaching Connecting Rods	9
Installing the Blades	11
Final Connecting Rod Adjustments	11
Maintenance	11
Parts List	12
Exploded-View Drawing	13
Trouble Shooting	14

This Manual is Designed to Make it as Easy as Possible for You to Assemble, Install, Operate, and Maintain Your Ceiling Fan

Tools Needed for Assembly

- One Phillips head screwdriver
- One stepladder
- One ¼" blade screwdriver
- ⅞" Socket head wrench
- ⅝" Hex "L" wrench
- One wire stripper

⚠ WARNING

Before assembling your ceiling fan, refer to section on proper method of wiring your fan (page 7). If you feel you do not have enough wiring knowledge or experience, have your fan installed by a licensed electrician.

Materials

Wiring outlet box and box connectors must be of type required by local code. The minimum wire would be a 3-conductor (2-wire with ground) of the following size:

Installed Wire Length	Wire Size A.W.G.
Up to 50 ft.	14
50 - 100 ft.	12

NOTE: Place the parts from the loose parts bags in a small container to keep them from being lost. If any parts are missing, contact your local retailer.

Unpacking Instructions

For your convenience, check-off each step. As each step is completed, place a check mark. This will ensure that all steps have been completed and will be helpful in finding your place should you be interrupted.

⚠ WARNING

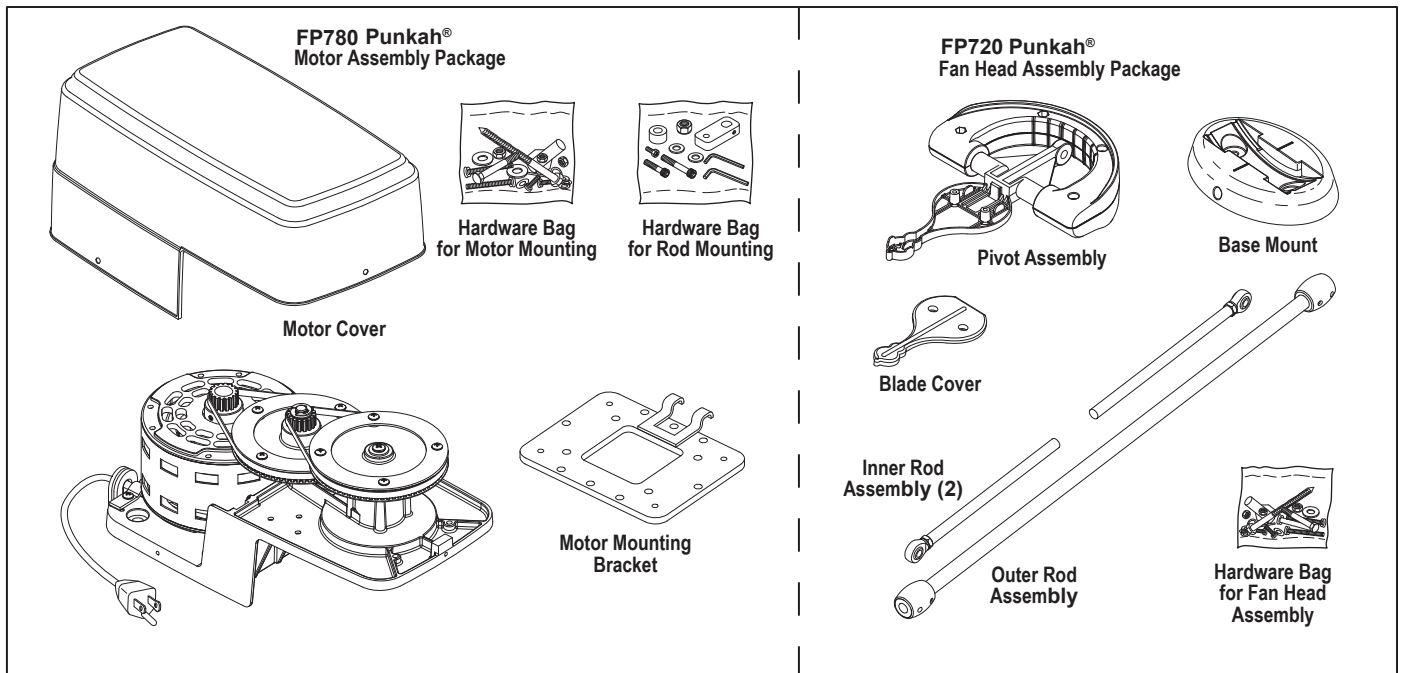
Do not install or use fan if any part is damaged or missing. This product is designed to use only those parts supplied with this product and/or any accessories designated specifically for use with this product by Fanimation. Substitution of parts or accessories not designated for use with this product by Fanimation could result in personal injury or property damage. Contact your retail store for missing or damaged parts.

Check to see that you have received the following parts:

NOTE: If you are uncertain of part description, refer to exploded view illustration. (Figure 18, page 13)

FP780 Motor Assembly Package FP720 Fan Head Assembly Package

- Punkah™ Motor Assembly
- Motor Mounting Bracket
- Motor Cover
- Motor Mounting Hardware Bag contains:*
 - Lag Bolt, 2" long (2)
 - Lag Bolt, 4" long (2)
 - Hex Head Philips Screw (4)
 - Lockwasher (4)
 - Motor Cover Screw (3)
 - Wire Nut (3)
- Rod Mounting Hardware Bag contains:*
 - Motor Link
 - Hex Head Philips Screw
 - Spacer
 - Nylon Lock Nut
 - Nylon Washer (2)
 - Socket Head Screw, 1¾" long
 - Socket Head Screw, 2¼" long
 - 5 mm Allen Wrench
 - 6 mm Allen Wrench
- Punkah™ Fan Head Assembly
 - Base Mount
 - Pivot Assembly
 - Blade Cover
 - Inner Rod Assembly (2)
 - Outer Rod Assembly
- Fan Head Hardware Bag contains:*
 - Lag Bolt, 2" long (2)
 - Flat Washer (2)
 - Socket Head Screw, 1½" long
 - Socket Head Screw, 2" long
 - Nylon Lock Nut
 - Nylon Washer (2)
 - Blade Cover Screw, ⅜"-24 x ⅜"(2)
 - 3 mm Allen Wrench



Electrical and Structural Requirements

Your new fan will require a grounded electrical supply line of 120 volts AC, 60 Hz, 15 amp circuit. The outlet box must be securely anchored and capable of withstanding a load of at least 100 lbs. Figure 1 depicts different structural configurations that may be used for mounting the outlet box.

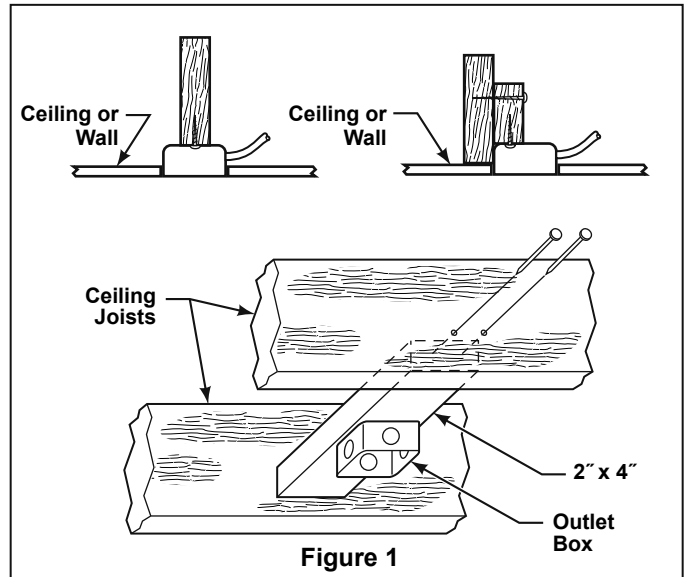
▲ WARNING

To reduce the risk of fire, electrical shock, or personal injury, mount fan to outlet box marked acceptable for fan support, and use screws supplied with outlet box. Most outlet boxes commonly used for support of light fixtures are not acceptable for fan support and may need to be replaced. Consult a qualified electrician if in doubt.

If your fan is to replace an existing light fixture, turn electricity off at the main fuse box at this time and remove the existing light fixture.

▲ WARNING

Turning off wall switch is not sufficient. To avoid possible electrical shock, be sure electricity is turned off at the main fuse box before wiring. All wiring must be in accordance with National and Local codes and the ceiling fan must be properly grounded as a precaution against possible electrical shock.



▲ WARNING

To avoid fire or shock, follow all wiring instructions carefully. Any electrical work not described in these instructions should be done or approved by a licensed electrician.

Wiring and Control Options

Please choose one of the following options and proceed to the page as indicated.

1. Motor can be plugged into electrical outlet.
2. Motor can be wired directly to electrical service with a standard light switch.

Hanging Options

Please choose one of two hanger options for your fan:

NOTE: Both The Motor Base And The Fan Head Base **MUST** Be Mounted On The Same Surface (Plane).

Option 1 - Ceiling Mount (Figure 2a)

Option 2 - Wall Mount (Figure 2b)

INSTALLATION NOTE

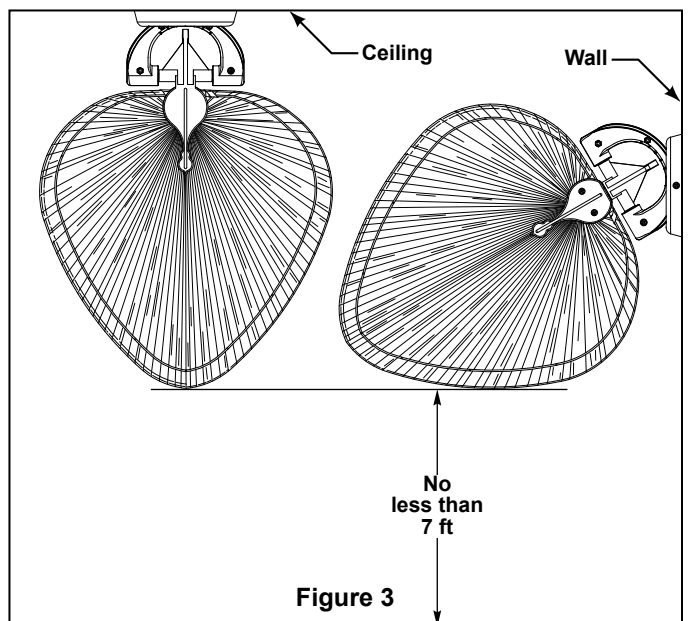
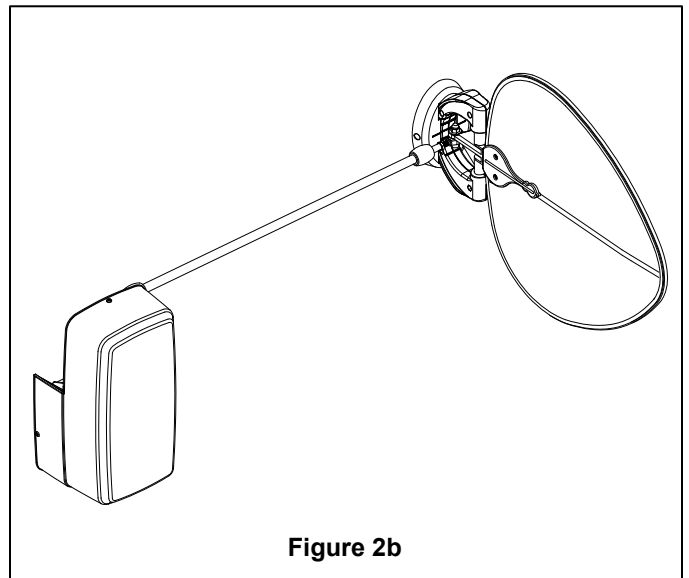
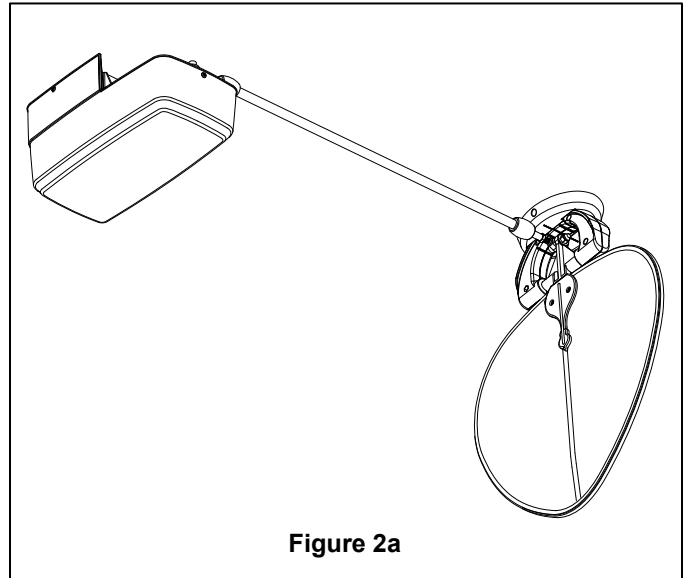
Fan Motor can be mounted at either end of final assembly or in the middle.

CAUTION

Do not connect fan blades until the fan is completely installed. Hanging fan with blades connected may result in damage to the fan blades.

CAUTION

The fan must be hung with at least 7' of clearance from floor to blade(s) (Figure 3)



Motor Mounting Bracket Hanging Options - Ceiling or Wall Mount

INSTALLATION NOTE

The following illustrations serve as a guide on mounting and securing your motor assembly either to the ceiling or to the wall. Building structure designs will vary depending on the local building codes. Be sure of your layout plans before fastening your motor assembly unit.

NOTE: The ceiling / wall panels removed to clarify structural support set-up.

NOTE: Use any of two sets of non-threaded holes that line up over the stud or joist.

Please choose one of the hanger options for your motor:

Option 1 - Wall Mount Detail (Figure 4)

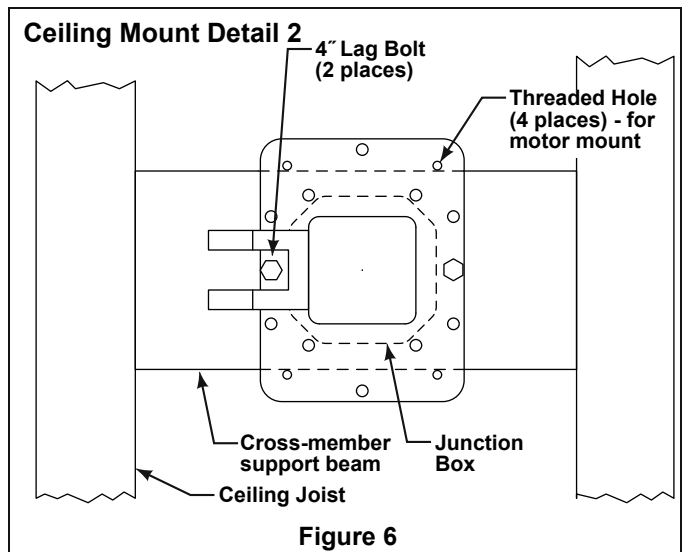
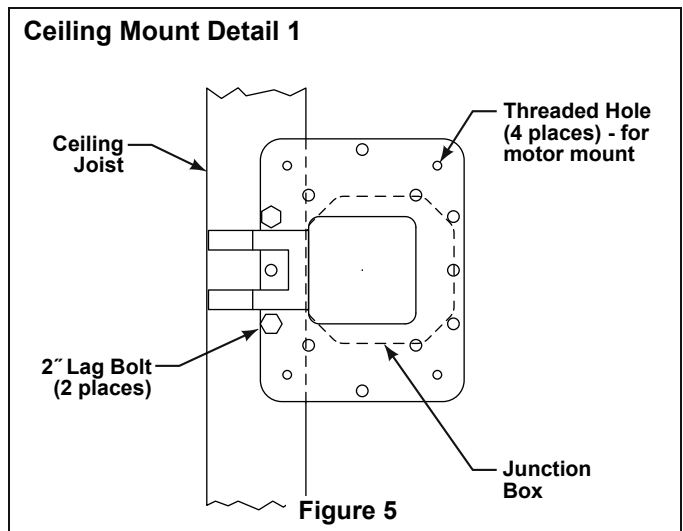
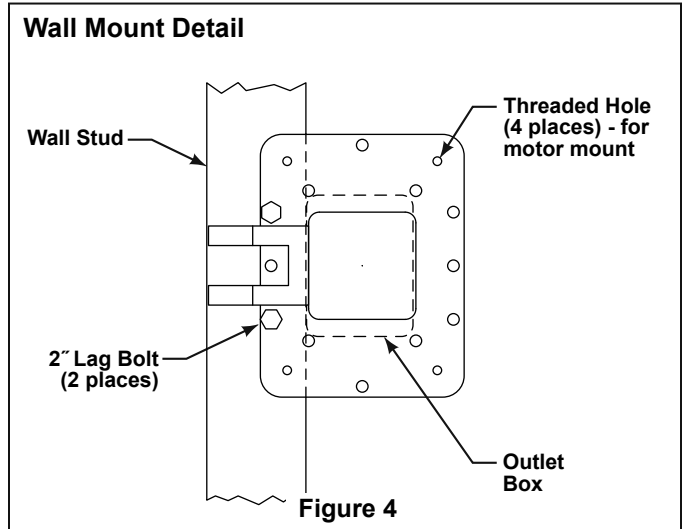
Position mounting plate over outlet box so that two of the bolts holes will be positioned over a wall stud. Use the two 2" long lag bolts to attach the mounting plate to the wall stud.

Option 2 - Ceiling Mount Detail 1 (Figure 5)

Position mounting plate over junction box so that two of the bolts holes will be positioned over a ceiling joist. Use the two 2" long lag bolts to attach the mounting plate to the ceiling joist.

Option 3 - Ceiling Mount Detail 2 (Figure 6)

Position mounting plate over junction box in the desired position. Use the two 4" lag bolts to attach the mounting plate to the cross-member support beam that the junction box is mounted to.



Power Options for Your Motor Assembly - Ceiling or Wall Mount

▲ WARNING

To avoid possible electrical shock, be sure electricity is turned off at the main fuse box before wiring.

Option 1 - Direct Plug-In Socket:

1. Position mounting plate with the outlet nearby. Attach mounting plate to ceiling or wall with a minimum of two lag bolts into building structure (*see previous page*).
2. Hook the motor assembly onto the mounting plate. Pivot the motor assembly into place and secure to mounting plate using the 4 hex head screws and lockwashers that were supplied in the loose parts bag.
3. Place the motor cover over the motor assembly and secure with 3 motor cover screws.
4. The motor can now be turned on by plugging directly into the socket.

Option 2 - Direct 'Hard' Wiring:

1. For direct wiring, center the hole in mounting plate over junction box. Attach to ceiling or wall with a minimum of two lag bolts into building structure (*see previous page*).

Figure 7

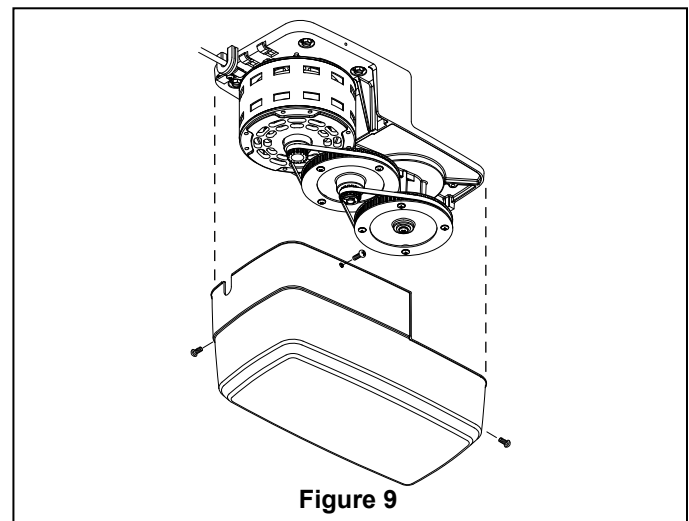
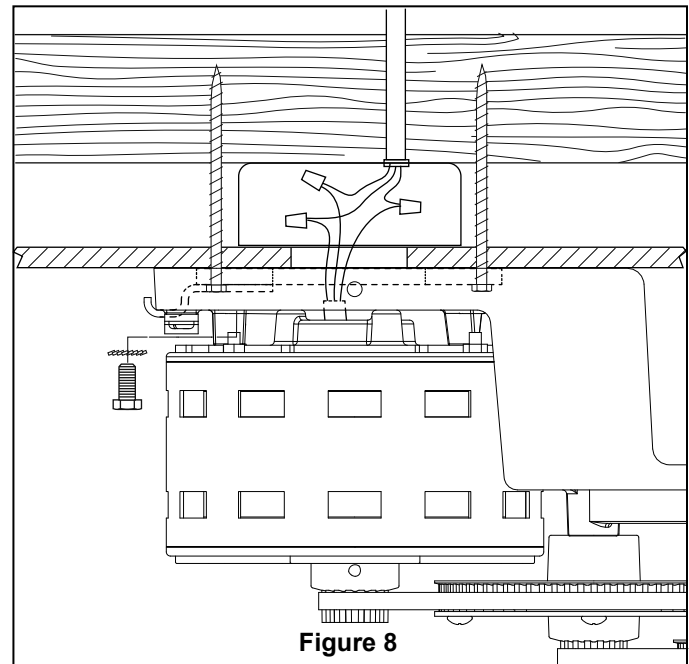
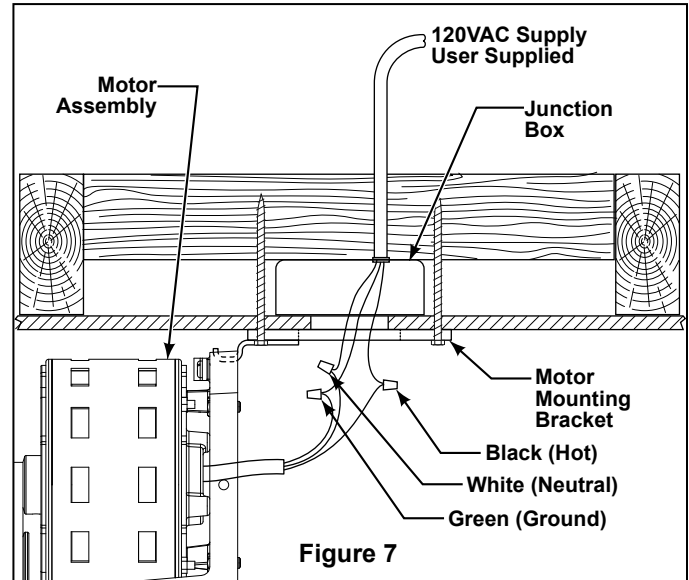
2. Remove cord with plug and route wires under the motor and through hole on motor assembly.
3. Strip the Black, White, and Green wires so that ½ inch of bare wire is revealed.
4. Hang motor assembly from hooks located on the mounting plate.
5. Attach the black wire from the fan to the black wire in the junction box.
6. Attach the white wire from the fan to the white wire in the junction box.
7. Attach the green wire from the fan to the green wire in the junction box.

Figure 8

8. Position the wires and wire nuts inside the junction box.
9. Pivot the motor assembly into place and secure to mounting plate using the 4 hex head screws and lockwashers that were supplied in the loose parts bag.

Figure 9

10. Place the motor cover over the motor assembly and secure with 3 motor cover screws.



Mounting Head Assembly

INSTALLATION NOTE

The following illustrations serve as a guide on mounting and securing your motor assembly either to the ceiling or to the wall. Building structure designs will vary depending on the local building codes. Be sure of your layout plans before fastening your fan head unit.

⚠ WARNING

To reduce risk of personal injury, do NOT mount the fan unit into (dry) wall or ceiling board only.

1. Locating head assemblies; head assemblies need to be **17" (minimum) to 48" (maximum)** distance from motor assembly or other head assembly.
2. Secure the fan unit base to wall or ceiling into building structure using the two lag bolts and flatwashers provided. **Figure 10**
3. Install the blade holder assembly by rotating it into place through the slot of the base. **Figure 11**
4. Set the blade holder assembly to the desired angle (10° increments up to 30° max - wide oval blade; 45° max - narrow oval blade) tighten the base mount screw in the side of the base. **Figure 12**

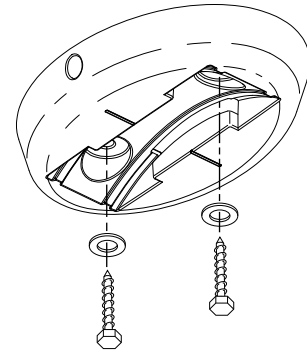


Figure 10

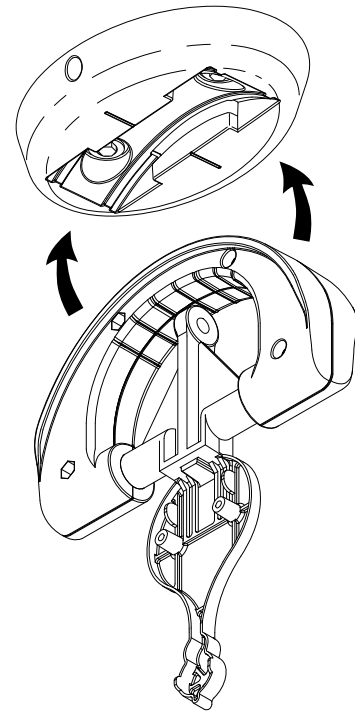


Figure 11

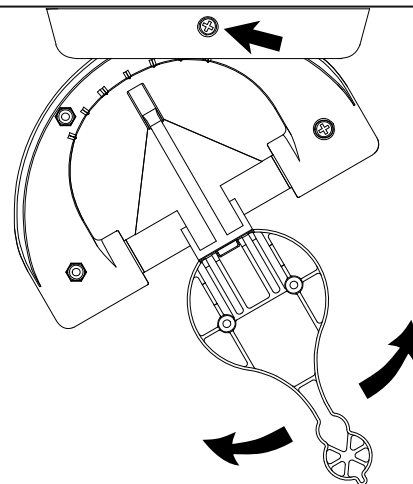


Figure 12

Assembling & Adjusting Connecting Rod Length

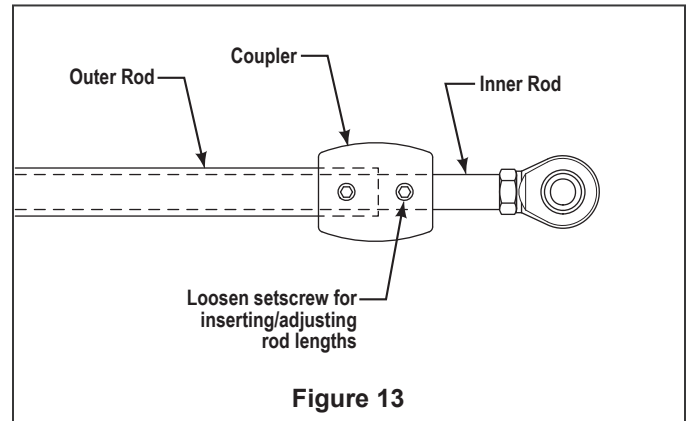
1. Loosen each of the “outer” set screws on the outer rod assembly.

2. Insert each “inner” rod assembly (2 pcs) equal amounts so that the distance between connecting rod end holes is equal to the distance between the center of the motor shaft and center of the blade holder or same as the distance between blade holder to blade holder.

3. Tighten set screws so that ends are perpendicular to each other for motor to blade holder application. Tighten set screw so that ends are parallel for blade holder to blade holder applications.

4. For lengths shorter than 24 inches loosen set screws, remove couplers and cut outer rod, then cut 1/2 the amount removed from the outer rod from each of the inner rods.

Replace couplers and repeat steps 1 through 3.



Attaching Connecting Rods

Option 1 - Single Linkage Configuration (Figure 14a)

Option 2 - Double Linkage Configuration (Figure 14b)

Motor End

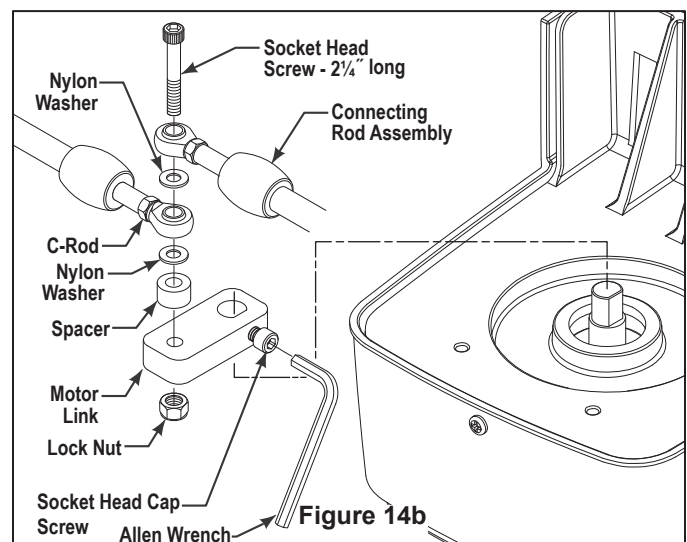
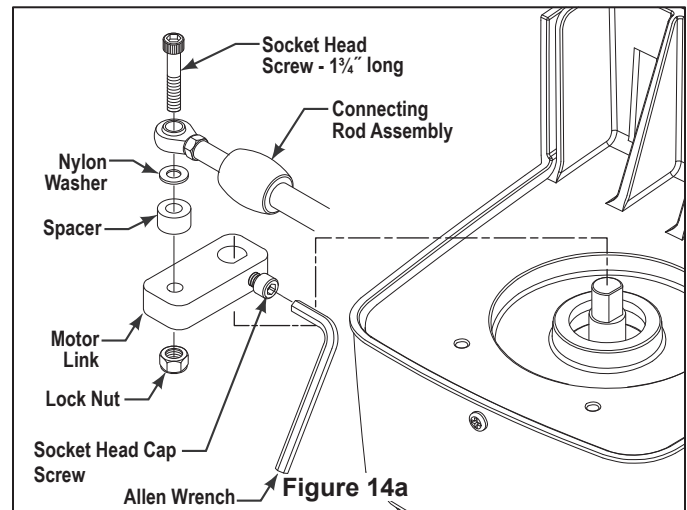
1. Place Socket head screw through connecting rod end and supplied hardware to match your application.

2. Tighten screw into motor link.

3. Secure locking nut to top of motor link to prevent bolt from loosening.

4. Slide motor link over motor shaft and tighten socket head cap screw to secure link to shaft.

NOTE: Ensure that screw is positioned over flat on shaft prior to tightening screw.



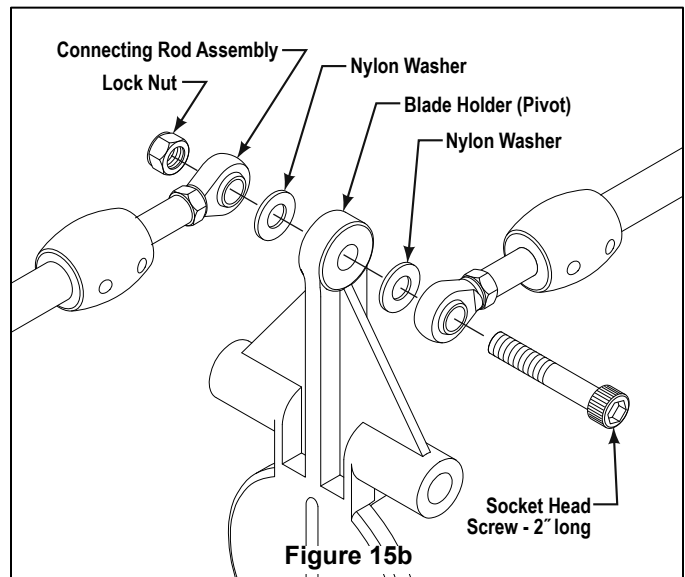
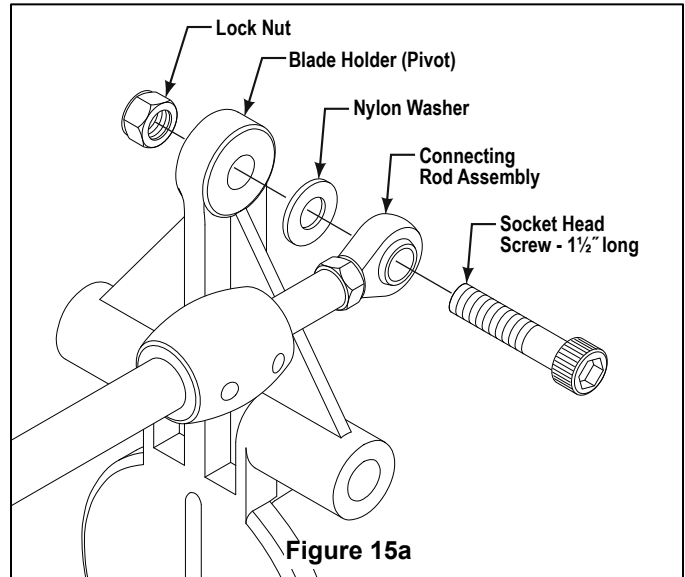
Attaching Connecting Rods (cont'd)

Option 1 - Single Linkage Configuration (Figure 15a)

Option 2 - Double Linkage Configuration (Figure 15b)

Blade Holder End

1. Place screw through connecting rod end, nylon washer, and blade holder to match your application.
2. Secure with locking nut.



Installing the Blades

▲ WARNING

To reduce the risk of personal injury, do not bend the blade holders when installing, balancing the blades or cleaning the fan.

NOTE: Blade(s) are not included and sold separately.

Assembling the Fan Blades

1. Position the palm leaf, or the woven bamboo, or the wicker blade over the blade holder with the threaded posts showing. Make sure the bottom edge of the blade is fully seated against the blade holder.
2. Place side “B” of the blade holder on top of the blade, positioning the holes over the threaded posts.
3. With a Philips screwdriver, thread both screws into the posts but do not fully tighten.
4. Prior to final tightening, position the centerline of the blade with the center of the end of the blade holder.
5. Tighten both screws to secure the blade. **Figure 16**

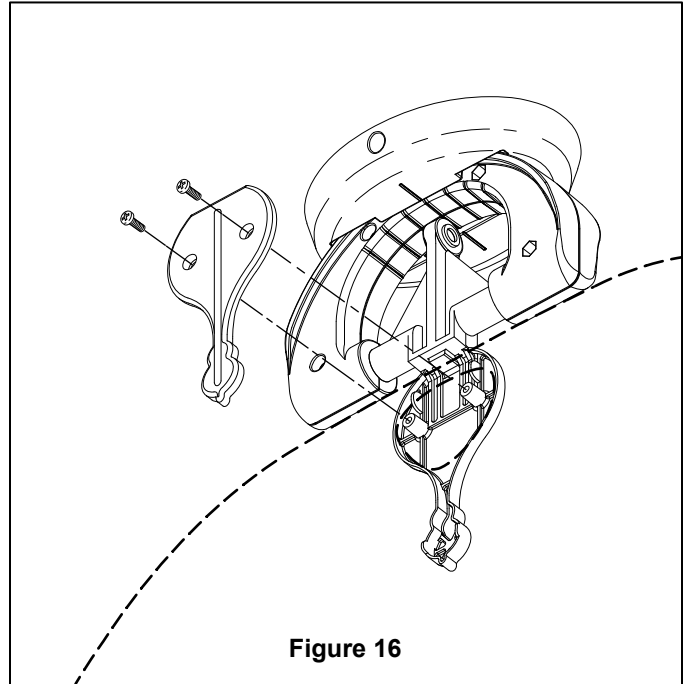


Figure 16

Final Connecting Rod Adjustments

1. Turn motor so that motor link is perpendicular to connecting rod (see Motor Link Detail, **Figure 17**).
2. Loosen one of the outer set screws and adjust the length of the connecting rod so that the fan blade is centered on the blade holder.
3. Tighten the set screw.
4. Continue to the next connecting rod away from motor and repeat the process for all connecting rods until all fan blades are centered to the blade holder and parallel to each other.

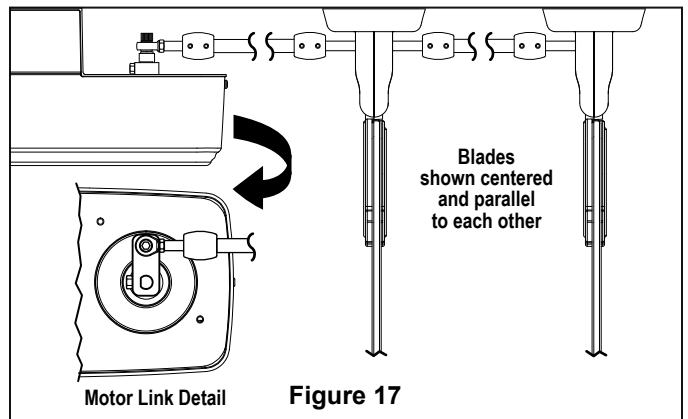


Figure 17

Maintenance

Periodic cleaning of your new fan is the only maintenance that is needed. When cleaning, use only a soft brush or lint free cloth to avoid scratching the finish. Abrasive and/or non-abrasive cleaning agents are not required and should be avoided to prevent damage to finish.

CAUTION

Do not use water when cleaning your ceiling fan. It could damage the motor or the finish and create the possibility of electrical shock.

Parts List

Ref. #	Description	Part #
	<i>Fan Motor Assembly</i>	FP780**
1	Motor Cover Assembly	C7821**
2	Motor Assembly	C7823
3	Mounting Plate Assembly	C7800
	<i>Motor Mounting Hardware Bag contains:</i>	
4	Motor Cover Screw, $\frac{5}{32}$ "-32 x $\frac{3}{8}$ "(3)	HDWMP780
5	Lag Bolt - 2"long (2)	
6	Lag Bolt - 4"long (2)	
7	External Lockwasher (4)	
8	Hex Head Screw, $\frac{1}{4}$ "-20 x $\frac{1}{2}$ "(4)	
9	Wire Nut (3)	
	<i>Rod Mounting Hardware Bag contains:</i>	
10a	Socket Hd Cap Screw, $\frac{5}{16}$ "-18 x $2\frac{1}{4}$ "	HDWRM780
10b	Socket Hd Cap Screw, $\frac{5}{16}$ "-18 x $1\frac{3}{4}$ "	
11	Nylon Washer (2)	
12	Nylon Lock Nut, $\frac{5}{16}$ "-18	
13	Motor Link Spacer	
14	Motor Link	C7805
15	Socket Head Cap Screw $\frac{1}{4}$ "-20 x $\frac{1}{2}$ "	
16	5 mm Allen Wrench	
17	6 mm Allen Wrench	

Ref. #	Description	Part #
	<i>Fan Head Assembly</i>	FP720**
28	Outer Rod Assembly	C7225**
29	Inner Rod Assembly (2)	C7224**
18	Base Mount Assembly	C7209**
19	Pivot Assembly	C7208**
20	Cover Traditional Blade	P3220**
	<i>Fan Head Hardware Bag contains:</i>	
21	Blade Holder Screw, $\frac{3}{16}$ "-24 x $\frac{3}{8}$ " (2)	HDW720
22	Flat Washer (2)	
23	Lag Bolt, 2"long (2)	
24	Nylon Lock Nut, $\frac{5}{16}$ "-18	
25	Nylon Washer (2)	
26a	Socket Head Cap Screw, $\frac{5}{16}$ "-18 x 2"	
26b	Socket Head Cap Screw, $\frac{5}{16}$ "-18 x $1\frac{1}{2}$ "	
27	3 mm Allen Wrench	

**Insert FINISH CODES (Refer to fan model number located on Fan / Motor assemblies)

Before discarding packaging materials, be certain all parts have been removed

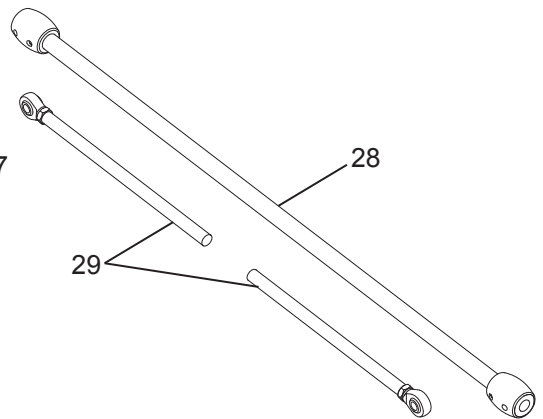
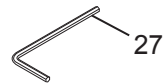
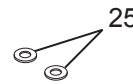
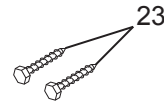
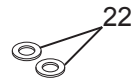
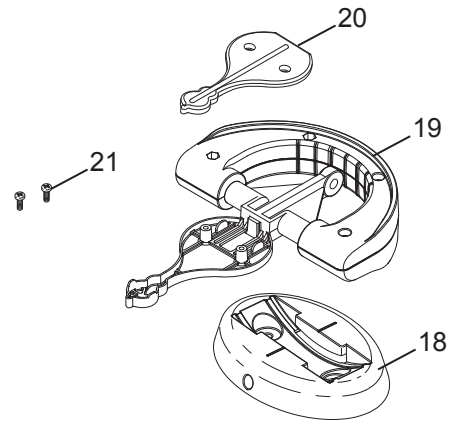
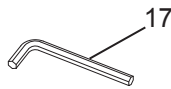
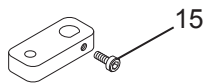
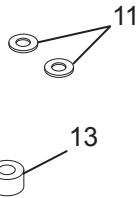
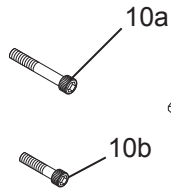
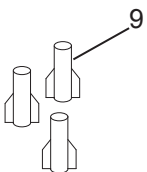
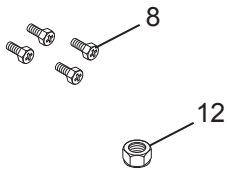
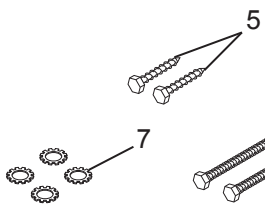
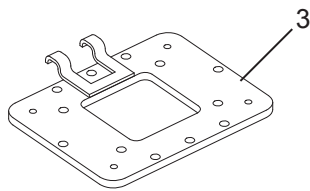
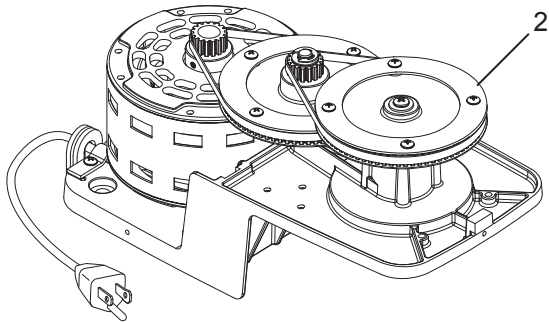
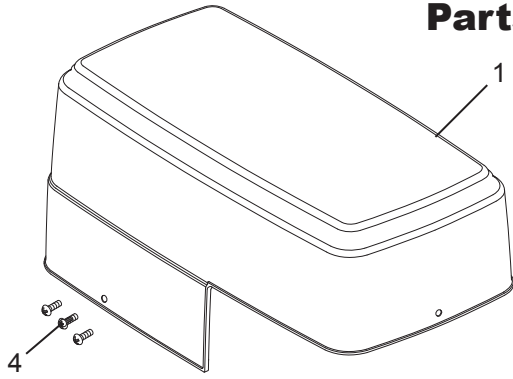
How To Order Parts

When ordering repair parts, always give the following information:

- Part Number
- Part Description
- Fan Model Number

Contact your retail store for repair parts.

The Punkah® Parts Illustration



NOTE: The illustration shown is not to scale or its actual configuration may vary.
Wires partially removed for clarity.

Figure 18

Trouble Shooting

 **WARNING**

For your own safety turn off power at fuse box or circuit breaker before trouble shooting your fan.

Trouble	Probable Cause	Suggested Remedy
1. FAN WILL NOT START	<ol style="list-style-type: none">1. Fuse or circuit breaker blown.2. Loose power line connections to the fan, or loose wire connections in the control housing.	<ol style="list-style-type: none">1. Check main and branch circuit fuses or circuit breakers.2. Check line wire connections to fan and switch wire connections in the switch housings. <p>CAUTION: Make sure main power is turned off !</p>
2. FAN SOUNDS NOISY	<ol style="list-style-type: none">1. Loose screws in fan assembly.2. Squeaking rods.	<ol style="list-style-type: none">1. Check to make sure all screws in fan assembly are snug (not over-tight).2. Apply light oil to ball joints.



10983 Bennett Parkway

Zionsville, IN 46077

Toll Free (888) 567-2055

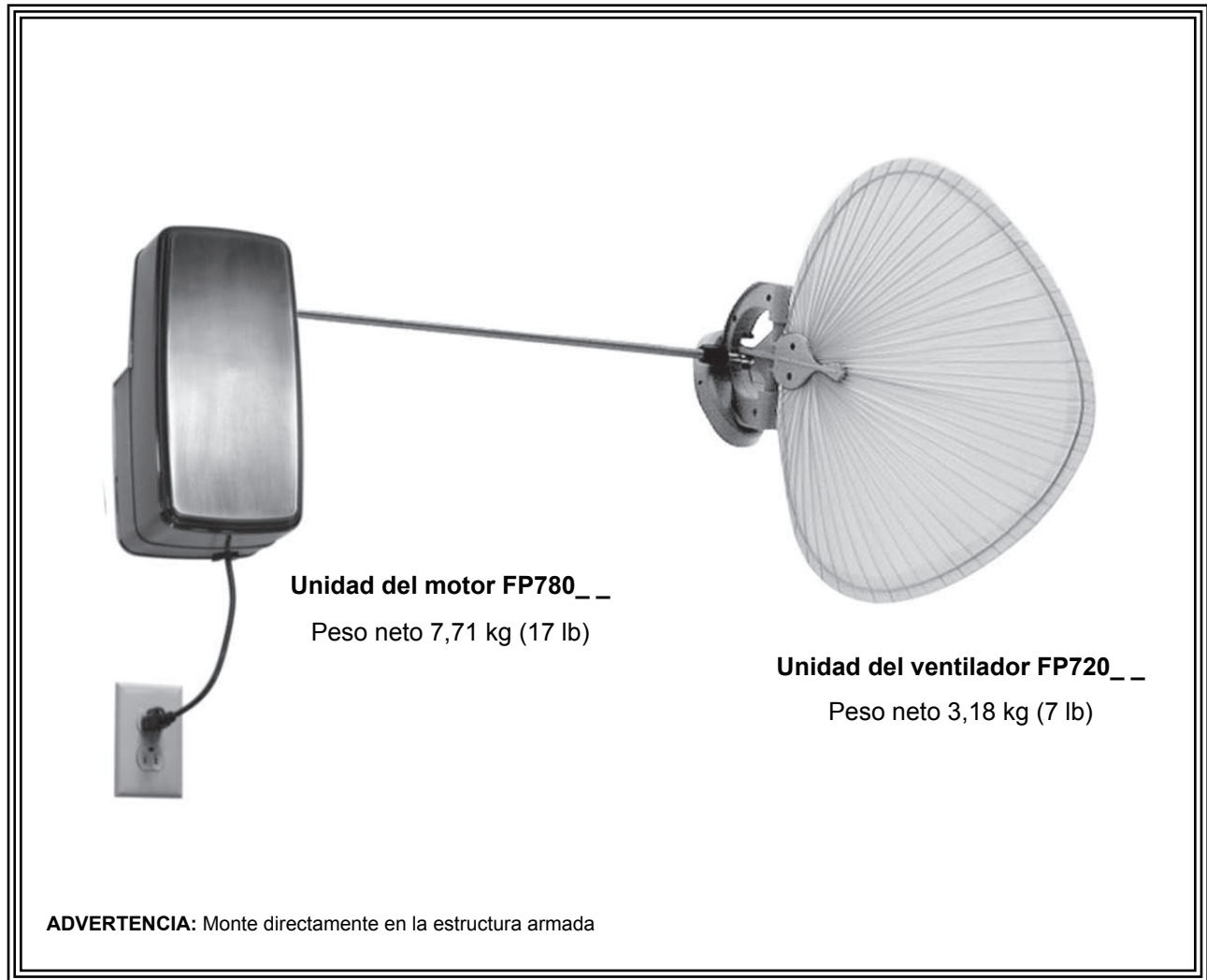
FAX (866) 482-5215

Outside U.S. call (317) 733-4113

Visit Our Website www.fanimation.com

The Punkah®

Unidad del motor y del ventilador



MANUAL DEL PROPIETARIO

LEA Y GUARDE ESTAS INSTRUCCIONES



Instrucciones de seguridad importantes

ADVERTENCIA: Siga estas instrucciones para prevenir incendios, descargas eléctricas y lesiones personales graves.

1. Lea el manual del propietario y la información de seguridad antes de instalar su nuevo ventilador. Observe los diagramas de ensamblaje adjuntos.
2. Antes de llevar a cabo el mantenimiento o la limpieza de la unidad, desconecte la electricidad en el panel de servicio y bloquee los medios de desconexión del mismo para evitar que se active accidentalmente. Si no se pueden bloquear los medios de desconexión del servicio, coloque un dispositivo de advertencia, como una etiqueta, en el panel de servicio.
3. Tenga cuidado con la estructura y las aspas del ventilador cuando limpie, pinte o trabaje cerca del mismo. Desconecte siempre la electricidad del ventilador de techo antes de llevar a cabo el mantenimiento.
4. No coloque nada en las aspas del ventilador cuando éste se encuentra en funcionamiento.

Instrucciones de seguridad adicionales

1. Para evitar posibles descargas eléctricas, asegúrese de que la electricidad esté desconectada en la caja de fusibles antes de realizar la instalación eléctrica, y no haga funcionar el ventilador sin las aspas.
2. Todos los procedimientos de conexión eléctrica e instalación deben cumplir con los Códigos Eléctricos Nacionales (ANSI/NFPA 70-1999). Utilice el Código eléctrico nacional si no existen códigos locales. El ventilador de techo debe estar conectado a tierra a fin de prevenir posibles descargas eléctricas. La instalación eléctrica debe ser llevada a cabo o aprobada por un electricista autorizado.
3. Se debe fijar bien la base del ventilador; ésta debe ser capaz de soportar sin problemas al menos 45,36 kg (100 lb) (el ventilador y los accesorios no deben exceder las 35 lb o los 16 kg). No se pueden utilizar cajas de distribución eléctrica como soporte del ventilador. Consulte la página 4 del manual del propietario para ver los requisitos de soporte. Si tiene dudas, consulte a un electricista calificado.
4. PRECAUCIÓN: A fin de reducir el riesgo de lesiones personales, monte la base del ventilador en una viga de techo o miembro estructural con las herramientas suministradas con el ventilador.

ADVERTENCIA: Monte directamente en la estructura armada.

El ventilador debe instalarse por lo menos a 2 m (7 pies) del suelo, a fin de evitar el contacto accidental con las aspas del ventilador. Siga las recomendaciones sobre el método correcto de instalación eléctrica de su ventilador de techo. Si no posee la experiencia o los conocimientos eléctricos adecuados, contrate a un electricista autorizado para instalar el ventilador.

Apto para usar con controles de velocidad de estado sólido.

ADVERTENCIA: PARA REDUCIR EL RIESGO DE DESCARGAS ELÉCTRICAS, ESTE VENTILADOR SE DEBE INSTALAR CON UN CONTROL/INTERRUPTOR DE PARED AISLADO.

ADVERTENCIA: Este producto está diseñado para ser usado sólo con las piezas suministradas o los accesorios indicados específicamente para el mismo. Si utiliza piezas o accesorios que no están indicados para su uso con este producto podría sufrir lesiones personales o dañar el ventilador.

ADVERTENCIA: No coloque objetos extraños entre las aspas del ventilador en funcionamiento.

GARANTÍA LIMITADA DE POR VIDA

Se extiende al comprador original de un ventilador Fanimation.

1. GARANTÍA LIMITADA DE POR VIDA DEL MOTOR - Si se produjera una falla en alguna de las partes del motor de su ventilador debido a un defecto en los materiales o en la fabricación durante el tiempo de vida del comprador original, Fanimation proporcionará la pieza de repuesto sin cargo una vez que el ventilador defectuoso sea devuelto a nuestro centro de servicios nacional. Se requiere comprobante de venta. El cliente se hará responsable de todos los gastos de remoción o reinstalación y envío del producto para reparaciones o sustitución.
2. GARANTÍA DE MANO DE OBRA DEL MOTOR POR UN AÑO - Si el motor de su ventilador fallara antes de cumplirse un año a partir del momento de su compra original debido a defectos en los materiales o en la fabricación, se le efectuará la reparación del mismo sin cargo en nuestro centro de servicios nacional. El comprador se hará responsable de los gastos de mano de obra luego del período de un año. El cliente se hará responsable de todos los gastos de remoción o reinstalación y envío del producto para reparaciones o sustitución.
3. Si otra pieza del ventilador fallara dentro del período de un año a partir de la fecha de compra original debido a un defecto en los materiales o en la fabricación, repararemos o sustituiremos, según creamos conveniente, la pieza defectuosa sin cargo alguno en nuestro centro de servicios nacional.
4. Debido a las diversas condiciones climáticas, esta garantía no cubre cambios en la terminación, incluidos oxidación, corrosión, falta de brillo o peladuras.
5. Esta garantía es nula y no se aplica a daños por instalación incorrecta, negligencia, accidentes, uso indebido, exposición al calor o a la humedad en exceso, o como resultado de cualquier modificación realizada al producto original.
6. Todos los gastos de remoción y reinstalación del ventilador son responsabilidad exclusiva del propietario, y no de la tienda que vendió el ventilador ni de Fanimation.
7. Fanimation se reserva el derecho de modificar o discontinuar un producto en cualquier momento, o sustituir cualquier pieza según lo establecido por esta garantía.
8. En ningún caso se podrá devolver un ventilador sin previa autorización por parte de Fanimation. Las devoluciones autorizadas deberán ir acompañadas del recibo de venta y deberán enviarse a Fanimation, previo pago del flete. El ventilador que se devuelva deberá estar embalado en forma adecuada a fin de evitar daños durante el transporte. Fanimation no se hará responsable de los daños que resulten del embalaje incorrecto del producto.
9. Se entiende que las reparaciones y las sustituciones son el único recurso disponible de Fanimation. No existe ninguna otra garantía expresa o implícita. Por la presente, Fanimation niega todas las garantías implícitas, que incluyen, entre otras, la comerciabilidad y la aptitud para determinado fin hasta donde la ley lo permita. Algunos estados no permiten limitaciones sobre las garantías implícitas. Fanimation no se hará responsable por daños accidentales, resultantes o especiales derivados del uso o el rendimiento del producto o en conjunción con éste, excepto en los casos en los que la ley así lo disponga. Esta garantía le otorga derechos legales especiales y es posible que también goce de otros derechos que pueden variar según el estado.
10. Es normal que se produzca un cierto movimiento oscilante y esto no debe considerarse un problema o defecto.

Tabla de contenidos

Instrucciones para el desempaque.....	19	Ensamblaje y ajuste de la longitud de la barra de conexión.....	25
Requisitos eléctricos y estructurales.....	20	Fijación de las barras de conexión.....	25
Instalación eléctrica y opciones de control.....	20	Instalación de las aspas.....	27
Opciones de instalación.....	21	Ajustes finales de la barra de conexión.....	27
Opciones de instalación del soporte de montaje del motor –		Mantenimiento.....	27
Montaje en la pared o en el techo.....	22	Lista de piezas.....	28
Instalación eléctrica de la unidad del motor -		Plano de despiece.....	29
Montaje en la pared o en el techo.....	23	Solución de problemas.....	30
Montaje de la unidad del cabezal.....	24		

Este manual está diseñado para facilitar al máximo el ensamblaje, la instalación, el funcionamiento y el mantenimiento de su ventilador de techo.

Herramientas necesarias para el ensamblaje

- Destornillador Phillips
- Escalera de tijera
- Destornillador de ¼"
- Llave para tuercas de 7/16"
- Llave hexagonal en "L" de 1/8"
- Pelacables

Materiales

La caja de distribución eléctrica y los conectores de la caja deben ser del tipo requerido por el código local. El cable más pequeño debe ser un cable de tres conductores (de dos conductores con conexión a tierra) del siguiente tamaño:

longitud del cable instalado	tamaño del cable según el A.W.G. (Calibre de Alambre Estadounidense)
hasta 15,2 m (50 pies)	14
de 15,2 a 30,5 m (50 a 100 pies)	12

NOTA: coloque las piezas de las bolsas de piezas individuales en un contenedor pequeño para evitar que se extravíen. Si faltan piezas, póngase en contacto con su proveedor local.

⚠ ADVERTENCIA

Antes de ensamblar el ventilador de techo, consulte la sección sobre el método correcto de instalación eléctrica del ventilador (página 4). Si siente que no posee la experiencia o los conocimientos eléctricos necesarios, contrate a un electricista autorizado para instalar el ventilador.

Instrucciones para el desempaque

Para su comodidad, marque cada uno de los pasos. A medida que completa cada paso, coloque una marca de verificación. Con esto se asegurará de completar todos los pasos y podrá saber desde dónde retomar si fuera interrumpido.

⚠ ADVERTENCIA

No instale o utilice el ventilador si falta alguna pieza o si hay piezas dañadas. Este producto está diseñado para ser usado sólo con las piezas suministradas o los accesorios indicados por Fanimation específicamente para el mismo. La sustitución de piezas o accesorios no designados por Fanimation para usarse con este producto podría ocasionar lesiones personales o daños en el ventilador. Póngase en contacto con su tienda si faltan piezas o hay piezas dañadas.

Verifique que haya recibido las siguientes piezas:

NOTA: Si no está seguro de la descripción de una pieza, consulte la ilustración del despiece. (Figura 18, página 13)

FP780 Paquete de la unidad del motor

- Unidad del motor Punkah™
- Soporte de montaje del motor
- Cubierta del motor

La bolsa de accesorios para el montaje del motor contiene:

- Tornillo de cabeza cuadrada largo de 2" (2)
- Tornillo de cabeza cuadrada largo de 4" (2)
- Tornillo hexagonal de cabeza tipo Phillips (4)
- Arandela de seguridad (4)
- Cubierta para el tornillo del motor (3)
- Tuerca para terminales (3)

La bolsa de accesorios para el montaje de la barra contiene:

- Enlace del motor
- Tornillo hexagonal de cabeza tipo Phillips
- Separador
- Tuerca de fijación de nylon
- Arandela de nylon (2)
- Tornillo largo de cabeza hueca de 1 ¼"
- Tornillo largo de cabeza hueca de 2 ¼"
- Llave Allen de 5 mm
- Llave Allen de 6 mm

FP720 Paquete de la unidad del cabezal del ventilador

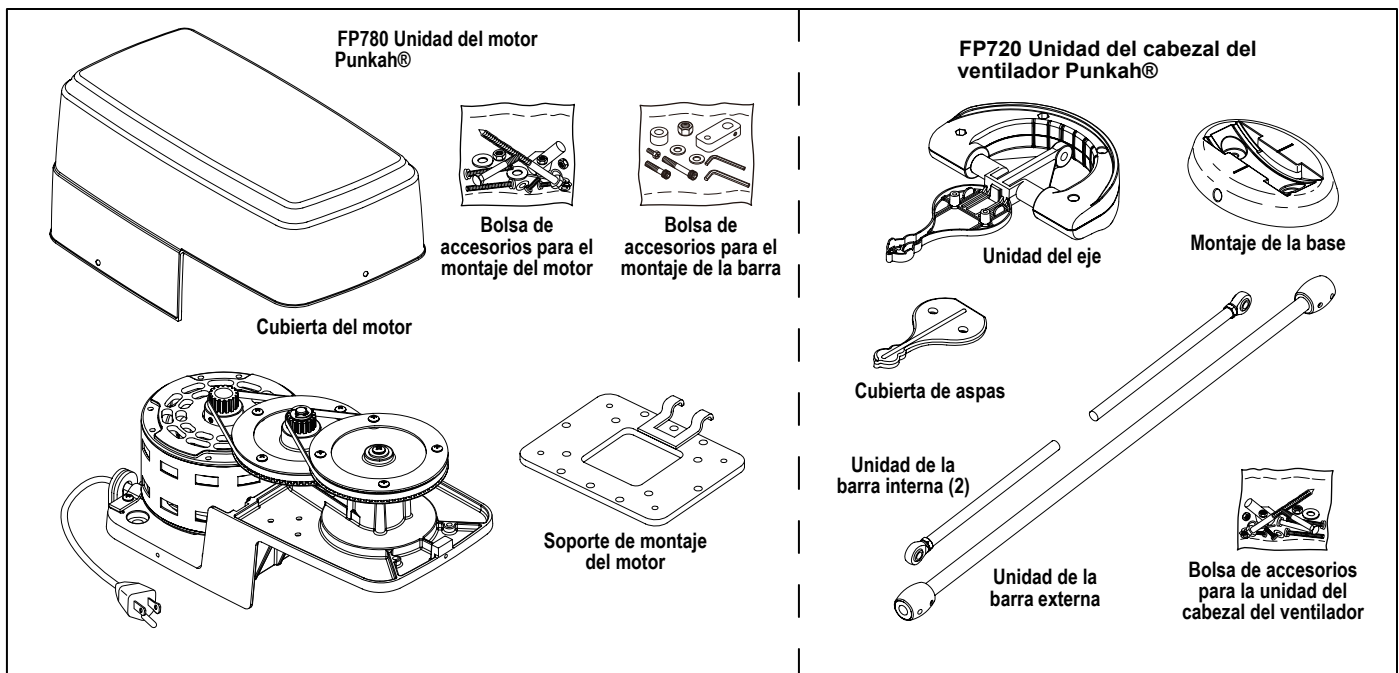
- Unidad del cabezal del ventilador Punkah™

- Montaje de la base
- Unidad del eje
- Cubierta de aspas

- Unidad de la barra interna (2)
- Unidad de la barra externa

La bolsa de accesorios para el montaje del cabezal del ventilador contiene:

- Tornillo de cabeza cuadrada largo de 2" (2)
- Arandela plana (2)
- Tornillo largo de cabeza hueca de 1 ½"
- Tornillo largo de cabeza hueca de 2"
- Tuerca de fijación de nylon
- Arandela de nylon (2)
- Tornillo para la cubierta de aspas de 3/16"-24 x 3/8" (2)
- Llave Allen de 3 mm



Requisitos eléctricos y estructurales

Su nuevo ventilador requiere una línea de suministro eléctrico con conexión a tierra de 120 voltios de CA, 60 Hz, circuito de 15 amperios. La caja de distribución eléctrica debe estar bien asegurada y debe ser capaz de soportar una carga de, al menos, 45,36 kg (100 lb). La Figura 1 muestra diversas configuraciones estructurales que podrían utilizarse para montar la caja de distribución eléctrica.

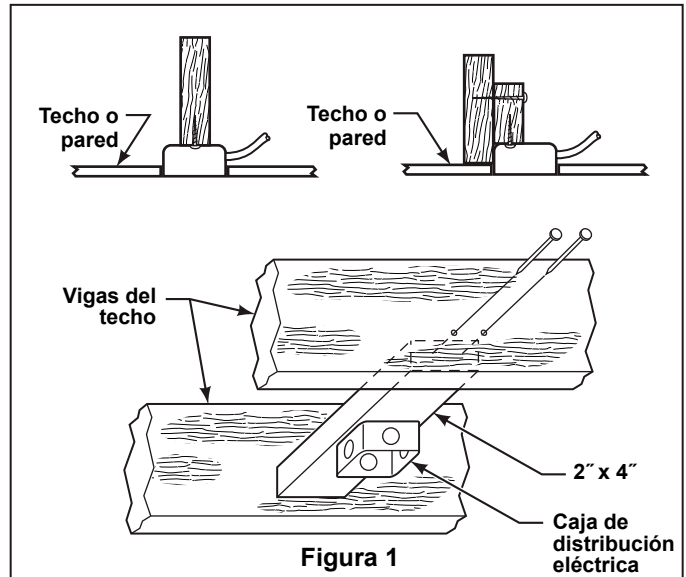
▲ ADVERTENCIA

Para reducir el riesgo de incendios, descargas eléctricas o lesiones personales, fije el ventilador a la caja de distribución eléctrica marcada como apta para soportar un peso y utilice los tornillos suministrados con la caja de distribución eléctrica. La mayoría de las cajas de distribución eléctrica que comúnmente se utilizan como soporte de lámparas no son aptas para soportar ventiladores y es posible que deban reemplazarse. Consulte a un electricista calificado si tiene dudas.

Si el ventilador reemplazará a una lámpara existente, desconecte la electricidad de la caja de fusibles principal y retire la lámpara.

▲ ADVERTENCIA

Apagar el interruptor de pared no es suficiente. Para evitar posibles descargas eléctricas, asegúrese de que la electricidad esté desconectada en la caja de fusibles principal antes de realizar la instalación eléctrica. Toda instalación eléctrica debe cumplir con los Códigos nacionales y locales y el ventilador de techo debe tener la conexión a tierra adecuada como forma de precaución ante posibles descargas eléctricas.



▲ ADVERTENCIA

A fin de evitar incendios o descargas eléctricas, siga con cuidado todas las instrucciones de instalación eléctrica. Cualquier trabajo eléctrico que no se describa en estas instrucciones deberá ser realizado o aprobado por un electricista autorizado.

Instalación eléctrica y opciones de control

Elija una de las siguientes opciones y pase a la página como se indica.

1. El motor se puede enchufar a una caja eléctrica.

2. El motor se puede conectar directamente a un servicio eléctrico con un interruptor de luz estándar.

Opciones de instalación

Elija una de las dos opciones de instalación para su ventilador:

NOTA: La base del motor y la base del cabezal del ventilador **DEBEN** montarse en la misma superficie (Plana).

Opción 1 – Montaje en el techo (Figura 2a)

Opción 2 – Montaje en la pared (Figura 2b)

NOTA DE INSTALACIÓN

El motor del ventilador se puede montar en el extremo o en el centro del ensamblaje final.

PRECAUCIÓN

No conecte las aspas hasta que el ventilador esté totalmente instalado. Colgar el ventilador con las aspas conectadas podría ocasionar daños en las mismas.

PRECAUCIÓN

Las aspas del ventilador deben estar suspendidas, al menos, a 2 m (7') del piso (Figura 3)

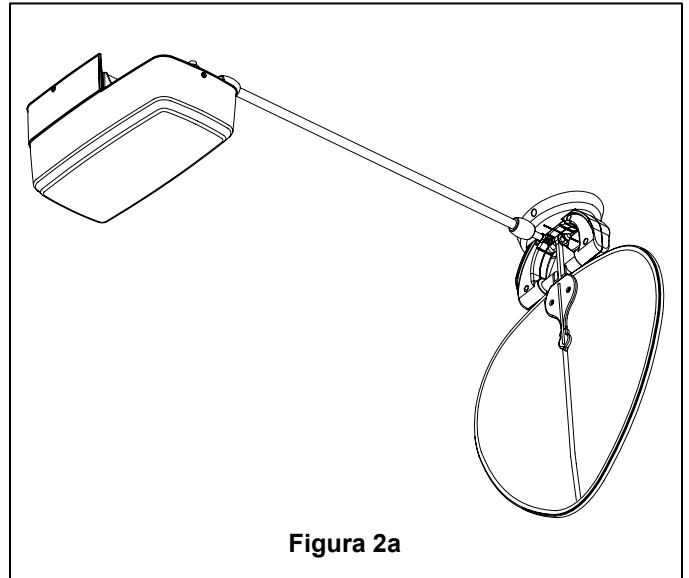


Figura 2a

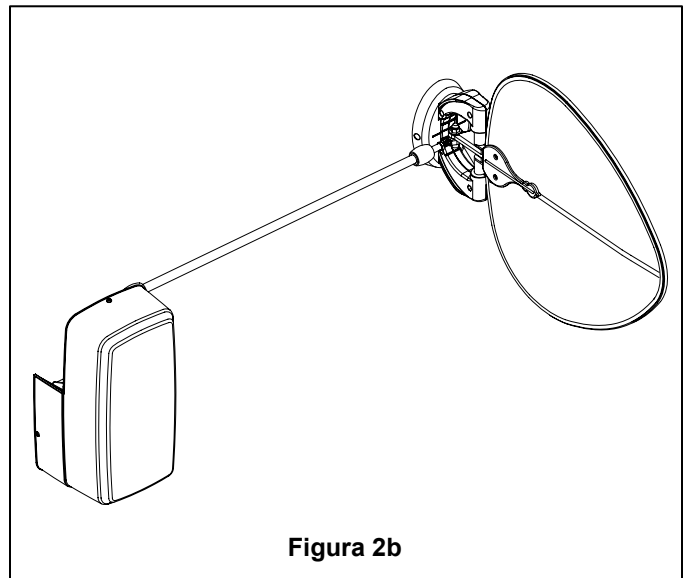


Figura 2b

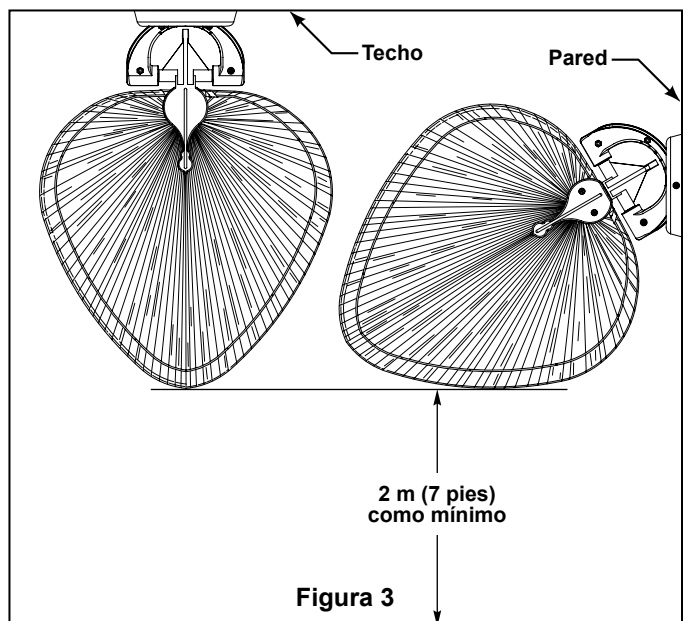


Figura 3

Opciones de instalación del soporte de montaje del motor – Montaje en la pared o en el techo

NOTA DE INSTALACIÓN

Las siguientes ilustraciones sirven como guía en el montaje y aseguran la unidad del motor ya sea en el techo o en la pared. Los diseños de la estructura armada variarán según los códigos de estructuras locales. Asegure sus planes de diseño antes de ajustar la unidad del motor.

NOTA: Los paneles del techo / pared se quitan para aclarar la fijación del soporte de la estructura.

NOTA: Utilice cualquiera de los dos grupos de orificios no roscados que se alinean sobre el montante o la viga.

Elija una de las opciones de instalación para su motor:

Opción 1 – Detalles del montaje en la pared (Figura 4)

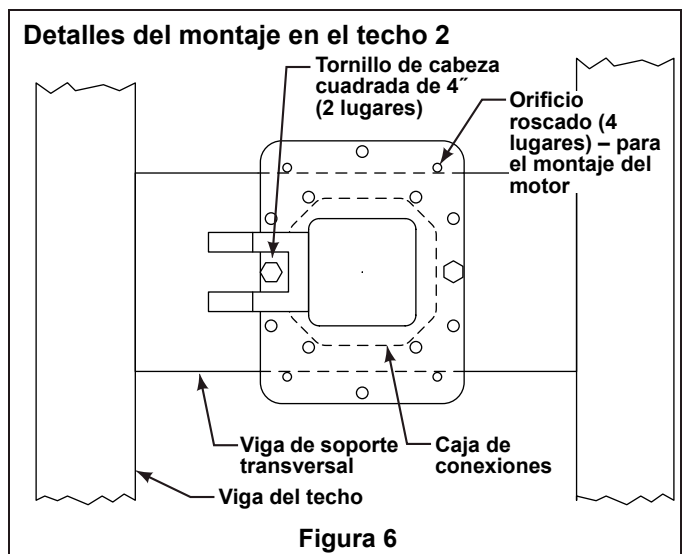
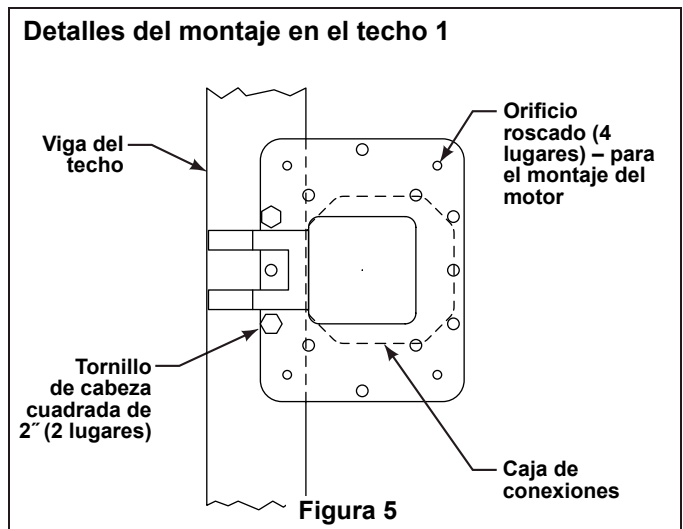
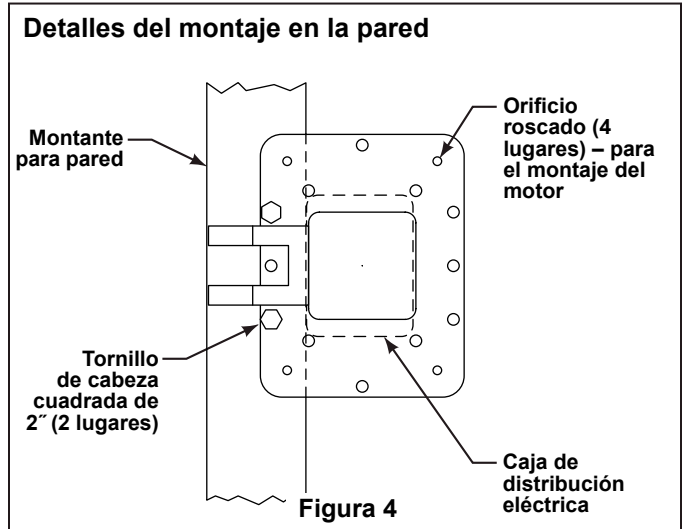
Coloque la placa de montaje sobre la caja de distribución eléctrica de modo que dos de los orificios de los tornillos estén colocados en un montante para pared. Utilice los dos tornillos de cabeza cuadrada largos de 2" para fijar la placa de montaje al montante para pared.

Opción 2 – Detalles del montaje en el techo 1 (Figura 5)

Coloque la placa de montaje sobre la caja de conexiones de modo que dos de los orificios de los tornillos estén colocados en una viga del techo. Utilice los dos tornillos de cabeza cuadrada largos de 2" para fijar la placa de montaje a la viga del techo.

Opción 3 – Detalles del montaje en el techo 2 (Figura 6)

Coloque la placa de montaje sobre la caja de conexiones en la posición deseada. Utilice los dos tornillos de cabeza cuadrada de 4" para fijar la placa de montaje a la viga de soporte transversal a la que la caja de conexiones está fijada.



Instalación eléctrica de la unidad del motor - Montaje en la pared o en el techo

⚠ ADVERTENCIA

Para evitar posibles descargas eléctricas, asegúrese de que la electricidad esté desconectada en la caja de fusibles principal antes de realizar la instalación eléctrica.

Opción 1 – Portalámparas con enchufe directo:

1. Coloque la placa de montaje con la caja eléctrica cerca. Fije la placa de montaje en el techo o en la pared con dos tornillos de cabeza cuadrada como mínimo en la estructura armada (vea la página anterior).
2. Enganche la unidad del motor a la placa de montaje. Monte la unidad del motor en su lugar y asegure a la placa de montaje con 4 tornillos de cabeza hexagonales y arandelas de seguridad que se incluyen en la bolsa de piezas individuales.
3. Coloque la cubierta del motor sobre la unidad del motor y asegure con 3 tornillos para cubierta del motor.
4. Ahora puede encender el motor enchufándolo directamente al portalámparas.

Opción 2 – cableado “duro” directo:

1. Para una conexión eléctrica directa, centre el orificio en la placa de montaje sobre la caja de conexiones. Fije en el techo o en la pared con dos tornillos de cabeza cuadrada como mínimo en la estructura armada (consulte la página anterior).

Figura 7

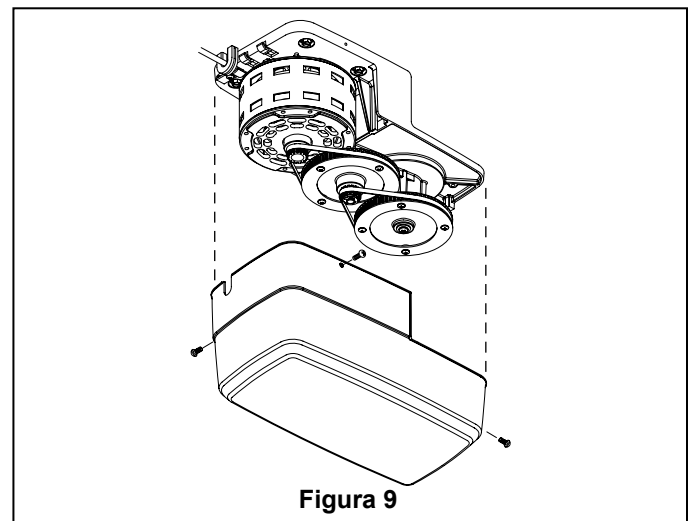
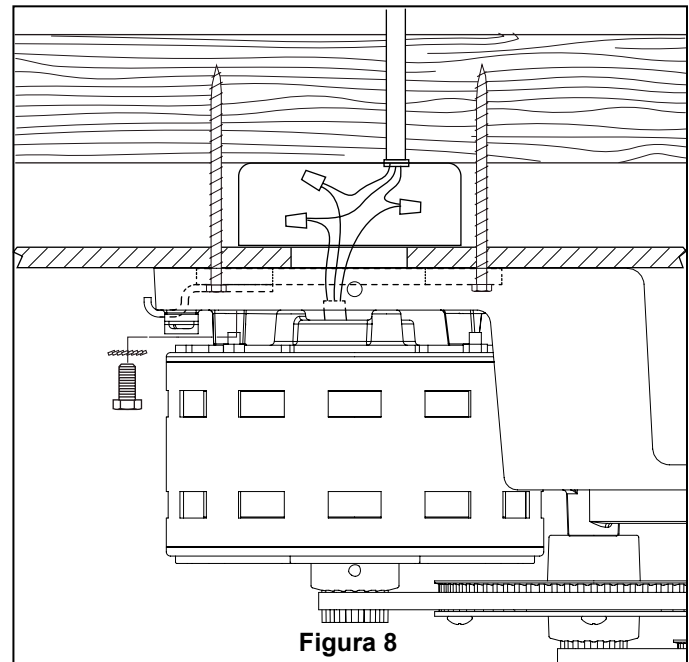
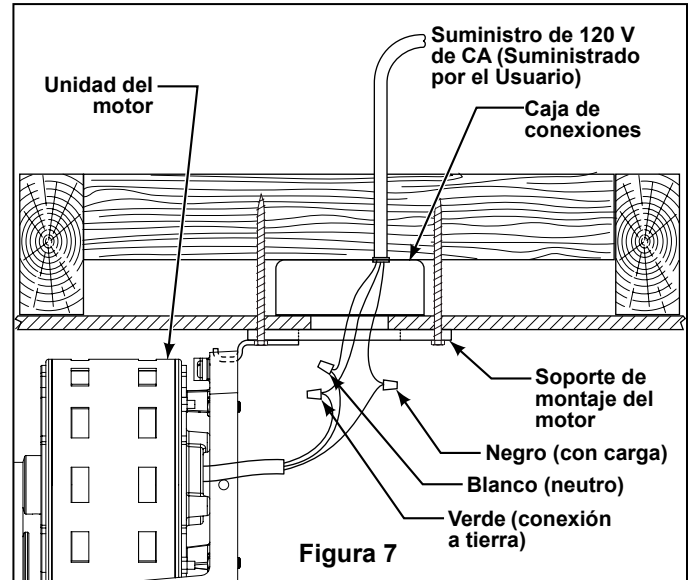
2. Retire el cable con el enchufe y pase los cables por debajo del motor y a través del orificio en la unidad del motor.
3. Pele los cables negro, blanco y verde de modo que $\frac{1}{2}$ pulgada de cable desnudo quede descubierto.
4. Cuelgue la unidad del motor de los ganchos que se encuentran en la placa de montaje.
5. Fije el cable negro del ventilador al cable negro en la caja de conexiones.
6. Fije el cable blanco del ventilador al cable blanco en la caja de conexiones.
7. Fije el cable verde del ventilador al cable verde en la caja de conexiones.

Figura 8

8. Coloque los cables y las tuercas para terminales dentro de la caja de conexiones.
9. Monte la unidad del motor en su lugar y asegure a la placa de montaje con 4 tornillos de cabeza hexagonales y arandelas de seguridad que se incluyen en la bolsa de piezas individuales.

Figura 9

10. Coloque la cubierta del motor sobre la unidad del motor y asegure con 3 tornillos para cubierta del motor.



Montaje de la unidad del cabezal

NOTA DE INSTALACIÓN

Las siguientes ilustraciones sirven como guía en el montaje y aseguran la unidad del motor ya sea en el techo o en la pared. Los diseños de la estructura armada variarán según los códigos de estructuras locales. Asegure sus planes de diseño antes de ajustar la unidad del cabezal del ventilador.

⚠ ADVERTENCIA

Para reducir el riesgo de lesiones personales, NO monte la unidad del ventilador en la placa de la pared o el techo solamente (seco).

1. Colocación de las unidades del cabezal; las unidades del cabezal requieren una distancia de 43,2 cm (17") (como mínimo) a 121,9 cm (48") (como máximo) desde la unidad del motor u otra unidad de cabezal.

2. Asegure la base de la unidad del ventilador a la pared o al techo en la estructura armada utilizando los dos tornillos de cabeza cuadrada y las arandelas que se incluyen. Figura 10

3. Instale la unidad del soporte de aspas girándola en el lugar a través de la ranura de la base. Figura 11

4. Fije la unidad del soporte de aspas al ángulo deseado (10° aumenta hasta 30° como máximo – aspas ovaladas y anchas; 45° como máximo - aspas ovaladas y angostas) ajustando el montaje de la base atornillado en el lado de la base. Figura 12

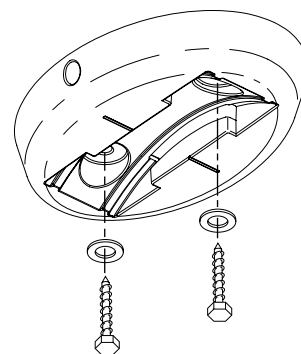


Figura 10

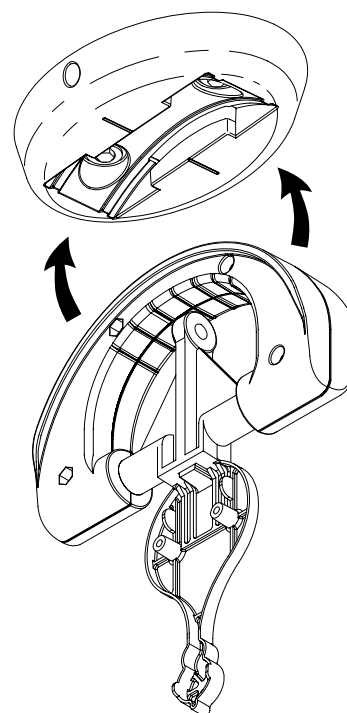


Figura 11

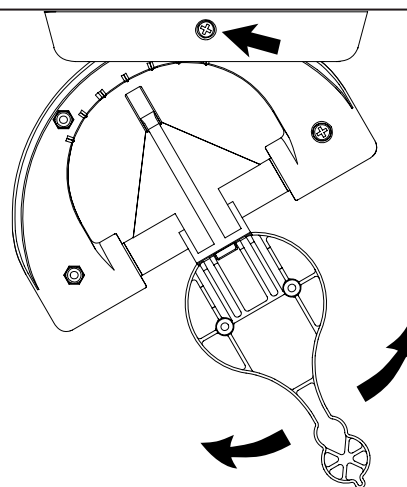


Figura 12

Ensamblaje y ajuste de la longitud de la barra de conexión

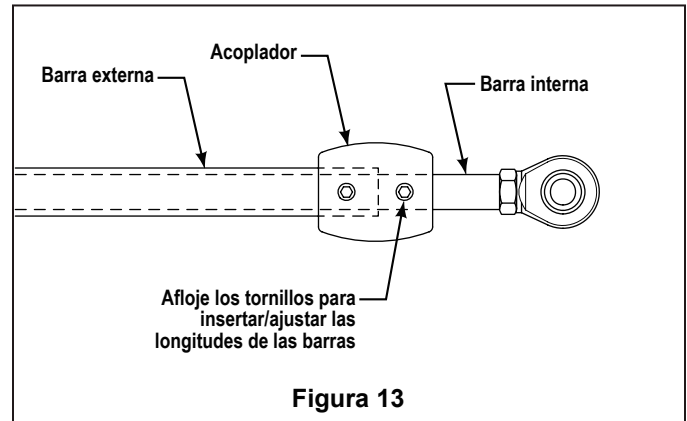
1. Afloje cada uno de los tornillos “externos” en la unidad de la barra externa.

2. Inserte cada unidad de la barra “interna” (2 piezas) en cantidades iguales de modo que la distancia entre los orificios del extremo de la de la barra de conexión sea igual a la distancia entre el centro del eje del motor y el centro del soporte de aspas o igual a la distancia entre el soporte de aspas y el soporte de aspas.

3. Ajuste los tornillos de modo que los extremos sean perpendiculares entre sí para la aplicación del motor al soporte de aspas. Ajuste los tornillos de modo que los extremos sean paralelos para las aplicaciones del soporte de aspas al soporte de aspas.

4. Para las longitudes menores a 60,9 cm (24 pulgadas) afloje los tornillos, retire los acopladores y corte la barra externa, luego corte la mitad de la cantidad retirada de la barra externa de cada barra interna.

Reemplace los acopladores y repita los pasos 1 a 3.



Fijación de las barras de conexión

Opción 1 – Configuración de conexión única (Figura 14a)

Opción 2 – Configuración de conexión doble (Figura 14b)

Extremo del motor

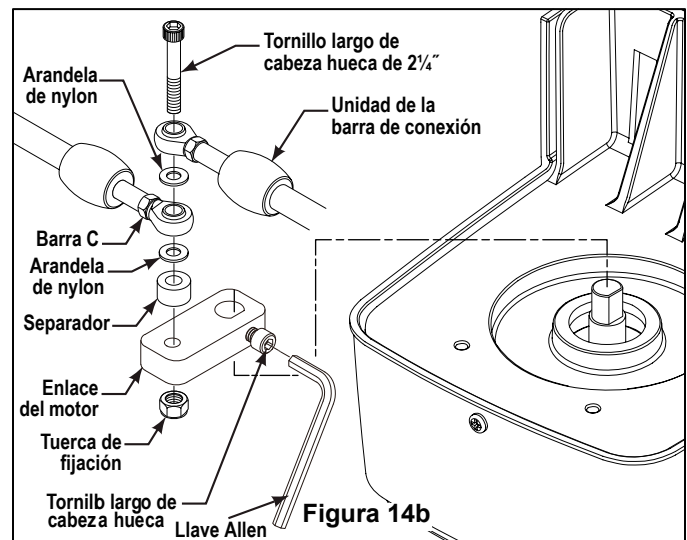
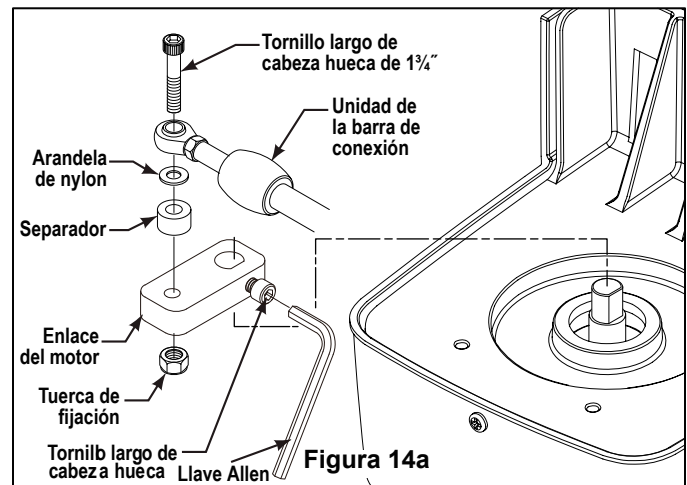
1. Coloque el tornillo de cabeza hueca a través del extremo de la de la barra de conexión y los accesorios suministrados para realizar su aplicación.

2. Ajuste el tornillo en el enlace del motor.

3. Asegure la contratuerca a la parte superior del enlace del motor para evitar que el tornillo se afloje.

4. Deslice el enlace del motor sobre el eje del motor y ajuste el tornillo largo de cabeza hueca para asegurar el enlace al eje.

NOTA: Asegúrese de que el tornillo esté colocado exactamente sobre el eje antes de ajustar el tornillo.



Fijación de las barras de conexión (cont.)

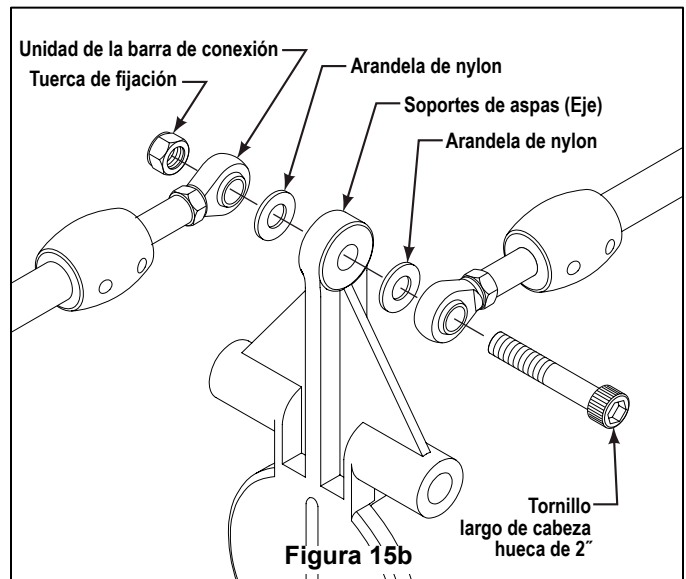
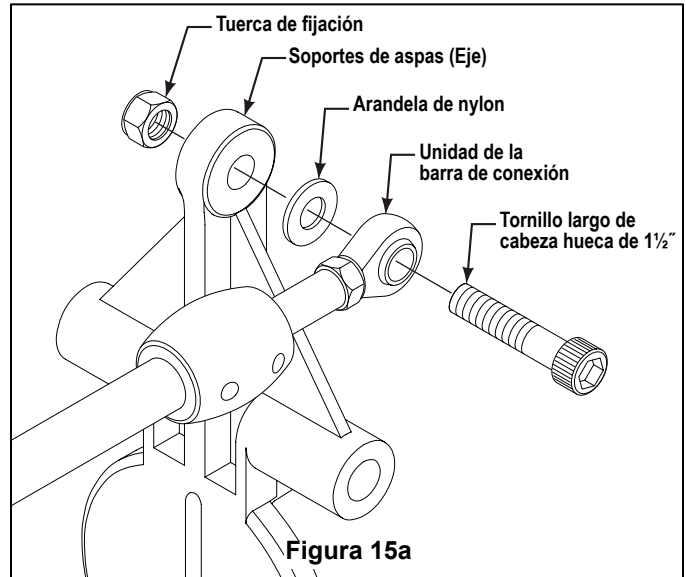
Opción 1 – Configuración de conexión única (Figura 15a)

Opción 2 – Configuración de conexión doble (Figura 15b)

Extremo del soporte de aspas

1. Coloque el tornillo a través del extremo de la de la barra de conexión, la arandela de nylon y el soporte de aspas para realizar su aplicación.

2. Asegure la contratuerca.



Instalación de las aspas

⚠ ADVERTENCIA

Para reducir el riesgo de lesiones personales, no doble los soportes de aspas al instalarlos, balancear las aspas o limpiar el ventilador.

NOTA: Las aspa(s) no se incluye(n) ni se venden por separado.

Ensamblaje de las aspas del ventilador

1. Coloque el aspa de hoja de palma, de bambú tejido o mimbre sobre el soporte de aspas con los pilotes roscados a la vista. Asegúrese de que la parte inferior del aspa se encuentre bien apoyada sobre el soporte.
2. Coloque el lado "B" del soporte de aspas sobre el aspa, y alinee los orificios sobre los pilotes roscados.
3. Con un destornillador Phillips, enrosque ambos tornillos en los pilotes pero no los ajuste por completo.
4. Antes de ajustarlos por completo, alinee el centro de las aspas con el centro del extremo del soporte de aspas.
5. Ajuste ambos tornillos para asegurar el aspa. Figura 16

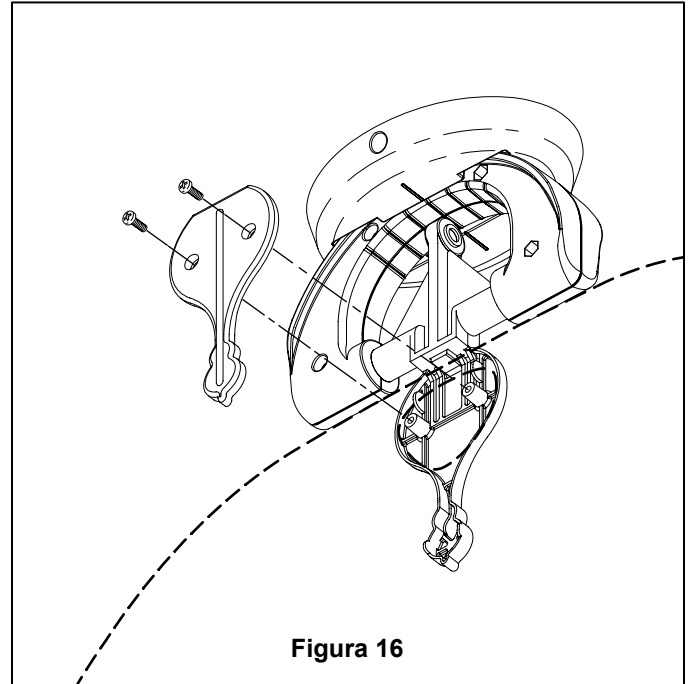


Figura 16

Ajustes finales de la barra de conexión

1. Gire el motor de modo que el enlace del motor sea perpendicular a la barra de conexión (vea Detalles del enlace del motor, Figura 17).
2. Afloje uno de los tornillos externos y ajuste la longitud de la barra de conexión de modo que las aspas del ventilador se encuentren en el centro del soporte de aspas.
3. Asegure los tornillos de fijación.
4. Continúe con la siguiente barra de conexión lejos del motor y repita el procedimiento para todas las barras de conexión hasta que todas las aspas del ventilador se encuentren en el centro del soporte de aspas y paralelas entre sí.

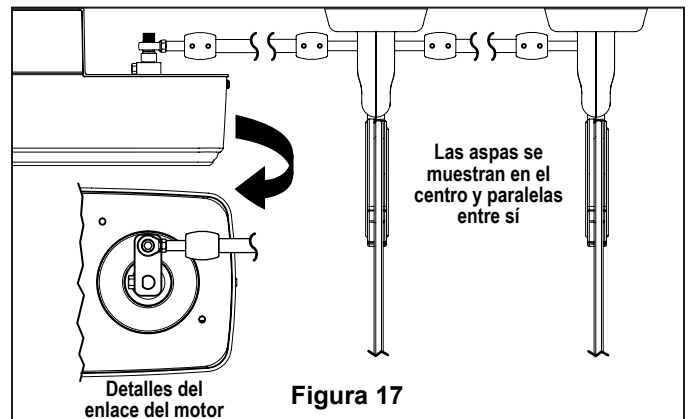


Figura 17

Mantenimiento

El único mantenimiento necesario para el ventilador es una limpieza periódica. Al llevar a cabo la limpieza, use sólo un cepillo suave o un paño sin pelusas, para evitar rayar la terminación. No se requieren agentes abrasivos ni no abrasivos de limpieza; los mismos deben evitarse para prevenir daños en la terminación.

PRECAUCIÓN

No utilice agua para limpiar el ventilador de techo. Podría dañar el motor o la terminación y ocasionar posibles descargas eléctricas.

Lista de piezas

N.º de Ref.	Descripción	Pieza N.º
	<i>Unidad del motor del ventilador</i>	FP780**
1	Unidad de la cubierta del motor	C7821**
2	Unidad del motor	C7823
3	Montaje de la unidad de la placa	C7800
	<i>La bolsa de accesorios para el montaje del motor contiene:</i>	
4	Tornillo para la cubierta del motor de $\frac{5}{32}$ "-32 x $\frac{3}{8}$ " (3)	
5	Tornillo de cabeza cuadrada largo de 2" (2)	
6	Tornillo de cabeza cuadrada largo de 4" (2)	
7	Arandelas de seguridad externas (4)	
8	Tornillo hexagonal de cabeza de $\frac{1}{4}$ "-20 x $\frac{1}{2}$ " (4)	
9	Tuerca para terminales (3)	
	<i>La bolsa de accesorios para el montaje de la barra contiene:</i>	
10a	Tornillo largo de cabeza hueca cubierta de $\frac{5}{16}$ "-18 x $2\frac{1}{4}$ "	
10b	Tornillo largo de cabeza hueca cubierta de $\frac{5}{16}$ "-18 x $1\frac{3}{4}$ "	
11	Arandela de nylon (2)	
12	Tuerca de fijación de nylon de $\frac{5}{16}$ "-18	
13	Separador del enlace del motor	
14	Enlace del motor	C7805
15	Tornillo largo de cabeza hueca de $\frac{1}{4}$ "-20 x $\frac{1}{2}$ "	
16	Llave Allen de 5mm	
17	Llave Allen de 6mm	

N.º de Ref.	Descripción	Pieza N.º
	<i>Unidad del cabezal del ventilador</i>	FP720**
28	Unidad de la barra externa	C7225**
29	Unidad de la barra interna (2)	C7224**
18	Base conjunto de montaje	C7209**
19	Unidad del pivote	C7208**
20	Aspa de cubierta	P3220**
	<i>La bolsa de accesorios para el montaje del cabezal del ventilador contiene:</i>	
21	Tornillos del soporte de aspas de $\frac{3}{16}$ "-24 x $\frac{3}{8}$ " (2)	
22	Arandela plana (2)	
23	Tornillo de cabeza cuadrada largo de 2" (2)	
24	Tuerca de fijación de nylon de $\frac{5}{16}$ "-18	
25	Arandela de nylon (2)	
26a	Tornillo largo de cabeza hueca cubierta de $\frac{5}{16}$ "-18 x 2"	
26b	Tornillo largo de cabeza hueca cubierta de $\frac{5}{16}$ "-18 x $1\frac{1}{2}$ "	
27	Llave Allen de 3 mm	

**Inserte el CÓDIGO DE TERMINACIÓN (consulte el número de modelo del ventilador que se encuentra en la unidad del motor del ventilador)

Before discarding packaging materials, be certain all parts have been removed

Cómo ordenar piezas

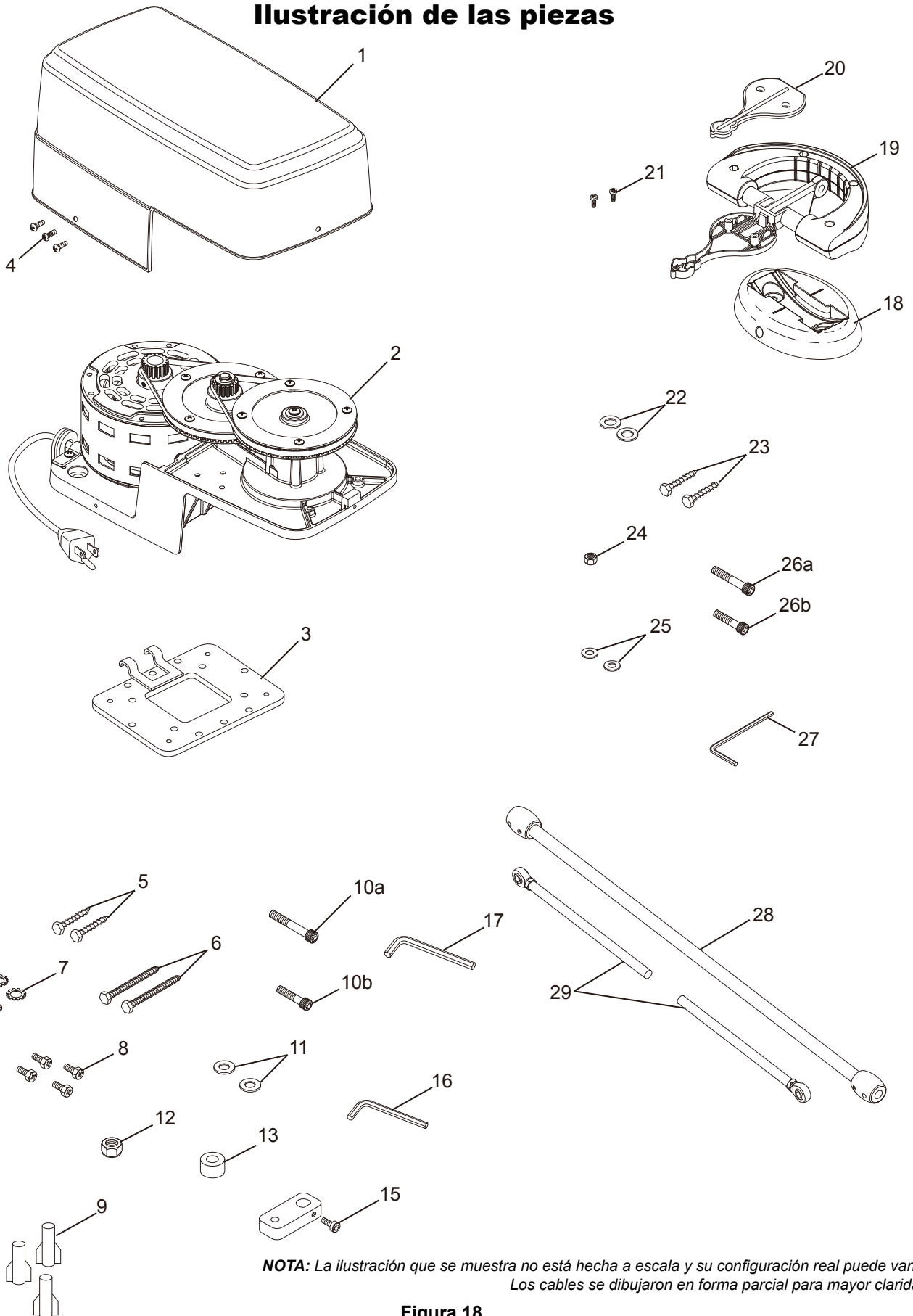
Al ordenar piezas de repuesto, proporcione siempre la siguiente información:

- Número de pieza
- Descripción de la pieza
- Número de modelo del ventilador

Póngase en contacto con su tienda para obtener las piezas de repuesto.

The Punkah®

Ilustración de las piezas



NOTA: La ilustración que se muestra no está hecha a escala y su configuración real puede variar. Los cables se dibujaron en forma parcial para mayor claridad.

Figura 18

Solución de problemas

⚠ ADVERTENCIA

Para su propia seguridad, desconecte la electricidad de la caja de fusibles o disyuntor antes de solucionar problemas en su ventilador.

Problema	Probable Cause	Suggested Remedy
1. EL VENTILADOR NO ARRANCA	<ol style="list-style-type: none">1. El fusible o el disyuntor están fundidos.2. Las conexiones eléctricas del ventilador o de la caja de la cubierta de control están flojas.	<ol style="list-style-type: none">1. Revise los fusibles del circuito principal y derivado o los disyuntores.2. Revise las conexiones eléctricas del ventilador y del interruptor en las cajas de los interruptores. <p>PRECAUCIÓN: Asegúrese de que el suministro principal de electricidad esté desconectado.</p>
3. EL VENTILADOR HACE RUIDO	<ol style="list-style-type: none">1. Afloje los tornillos en la unidad del motor.2. Barras alternativas.	<ol style="list-style-type: none">1. Asegúrese de que todos los tornillos de la unidad del ventilador estén bien ajustados (pero no en exceso).2. Aplique un aceite liviano a las juntas esféricas.



**10983 Bennett Parkway
Zionsville, IN 46077**

**Llame sin cargo al (888) 567-2055
FAX (866) 482-5215**

**Desde fuera de los EE.UU., llame al (317) 733-4113
Visite nuestro sitio web en www.fanimation.com**